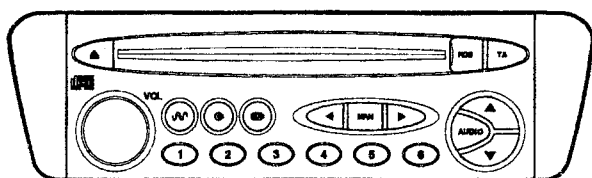


Service Manual



CITROËN Automobile Genuine
 RDS/FM/MW/LW Radio CD Stereo

Model **PU-2295A**
 (Genuine No. 96 325 924 80)

ORIGINAL SERVICE MANUAL

This additional service manual is designed to be used together with Model PU-2184A-A.

Original model	Manual No.
PU-2184A-A	298-5750-00

DIFFERENCE FROM ORIGINAL MODEL

1. Maker (PEUGEOT → CITROËN)
2. Genuine No.
3. Escutcheon ASS'Y
4. Some parts of Main section
5. CD Mechanism (PWB section is same as original model)
6. Switch PWB

COMPONENTS

PU-2295A-A

Main unit ----- 1

NOTE

- ※ We cannot supply PWB with component parts in principle. When a circuit on PWB has failure, please repair it by component parts base. Parts which are not mentioned in service manual are not supplied.
- ※ Specifications and design are subject to change without notice for further improvement.

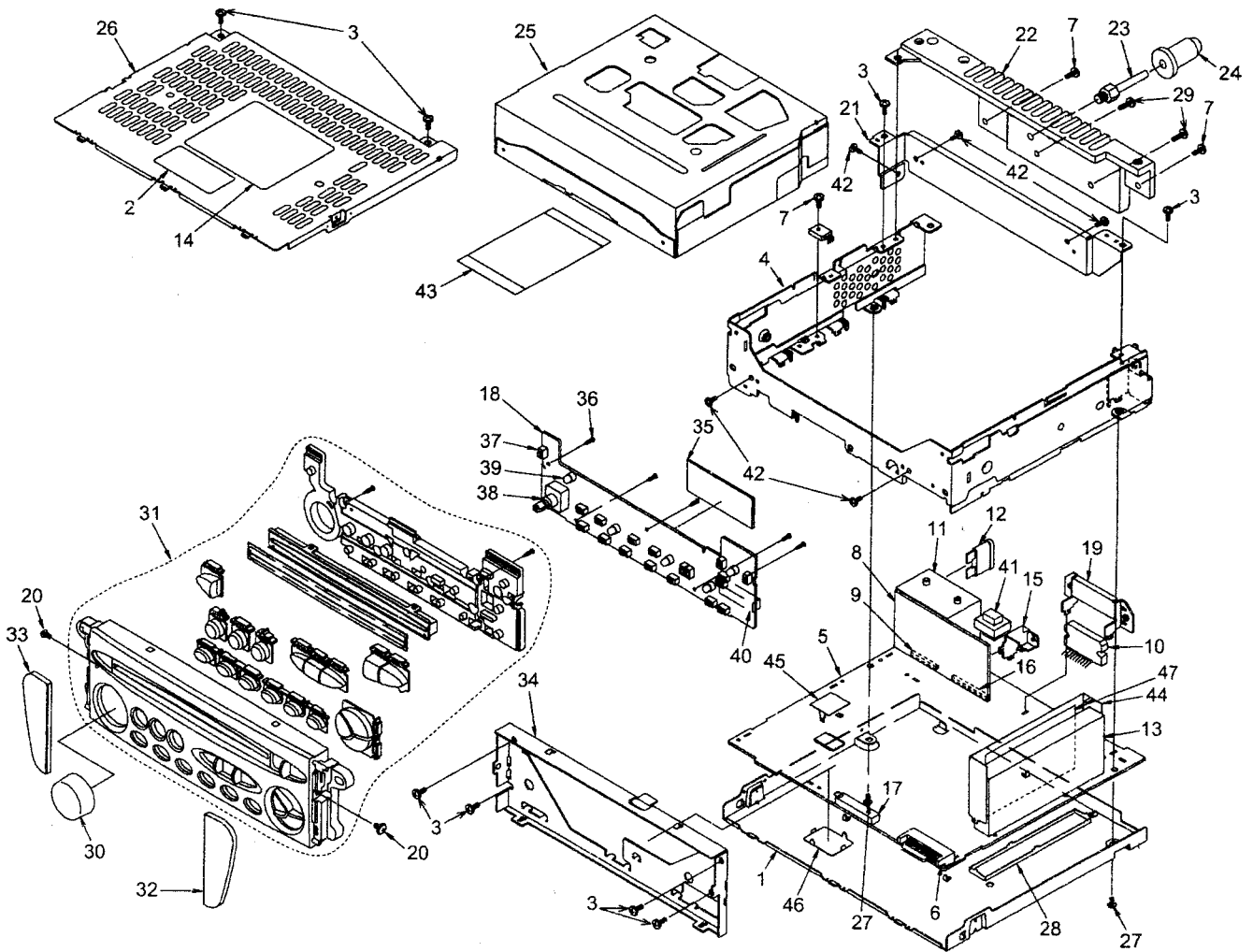
To engineers in charge of repair or inspection of our products.

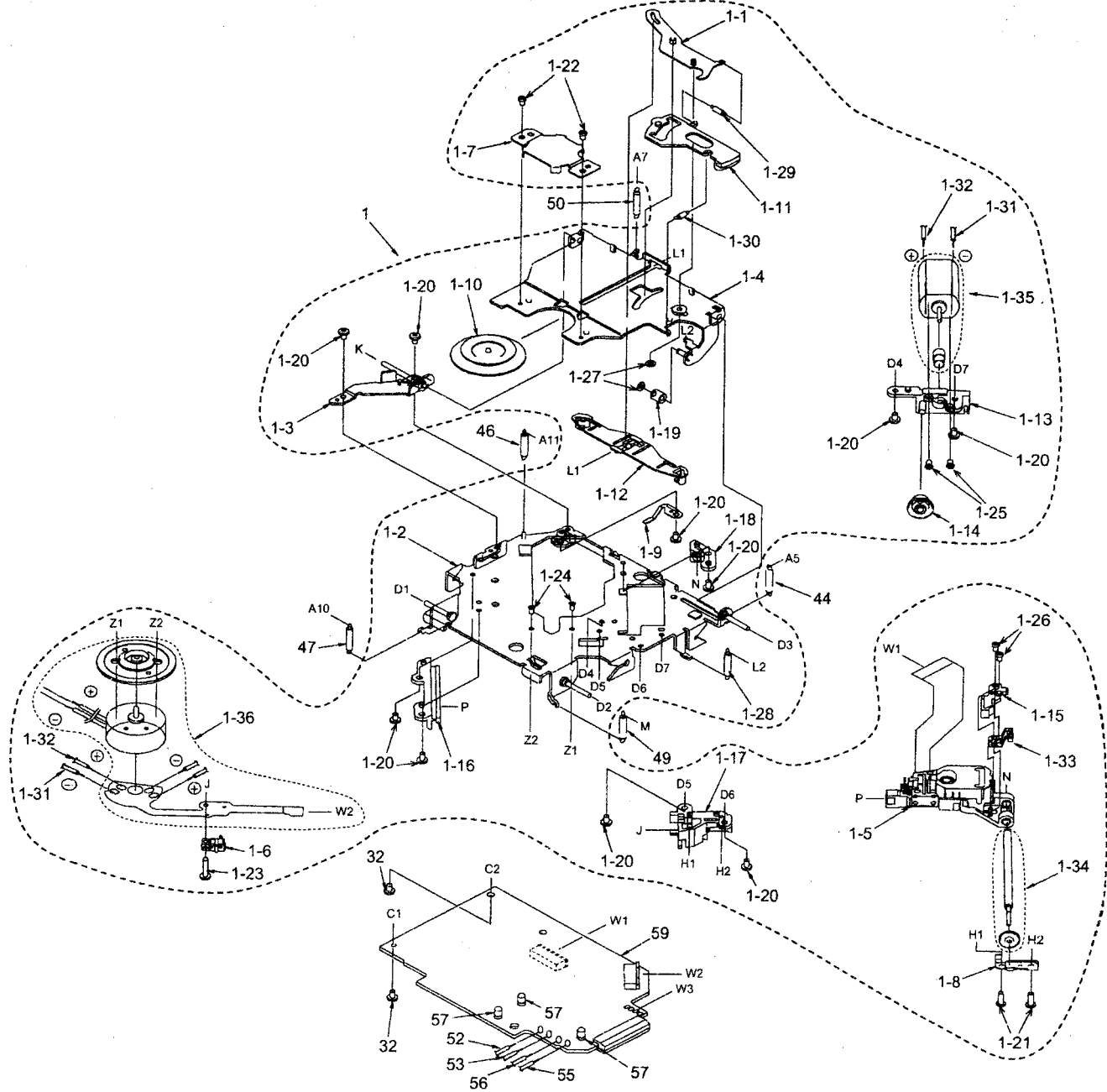
Before repair or inspection, make sure to follow the instructions so that customers and Engineers in charge of repair or inspection can avoid suffering any risk or injury.

1. Use specified parts.
 The system uses parts with special safety features against fire and voltage. Use only parts with equivalent characteristics when replacing them.
 The use of unspecified parts shall be regarded as remodeling for which we shall not be liable. The onus of product liability (PL) shall not be our responsibility in cases where an accident or failure is as a result of unspecified parts being used.
2. Place the parts and wiring back in their original positions after replacement or re-wiring.
 For proper circuit construction, use of insulation tubes, bonding, gaps to PWB, etc, is involved. The wiring connection and routing to the PWB are specially planned using clamps to keep away from heated and high voltage parts. Ensure that they are placed back in their original positions after repair or inspection.
 If extended damage is caused due to negligence during repair, the legal responsibility shall be with the repairing company.
3. Check for safety after repair.
 Check that the screws, parts and wires are put back securely in their original position after repair. Ensure for safety reasons there is no possibility of secondary problems around the repaired spots.
 If extended damage is caused due to negligence of repair, the legal responsibility shall be with the repairing company.
4. Caution in removal and making wiring connection to the parts for the automobile.
 Disconnect the battery terminal after turning the ignition

NO.	PART NO.	DESCRIPTION	Q'TY
31	940-7897-60	ESCUTCHEON ASSY	1
32	335-5904-00	DUMMY COVER(R)	1
33	335-5905-00	DUMMY COVER(L)	1
34	309-0719-00	FRONT PLATE	1
35	345-8315-00	INSULATOR	1
36	716-0778-00	WAVE SCREW(ϕ 2X6)	5
37	013-3741-11	SWITCH	18
38	016-0010-16	VARIABLE RESISTOR	1
39	017-0454-02	PILOTLAMP(14V40mA)	5

NO.	PART NO.	DESCRIPTION	Q'TY
40	074-1151-18	OUTLET SOCKET(18P)	1
41	009-9006-60	CHOKE	1
42	714-2303-81	MACHINE SCREW(M2.3X3)	5
43	816-2488-00	FLAT WIRE	1
44	331-2638-00	SHIELD CASE	1
45	331-2578-00	SHIELD CASE	1
46	331-2573-00	SHIELD CASE	1
47	347-6200-00	INSULATOR	1



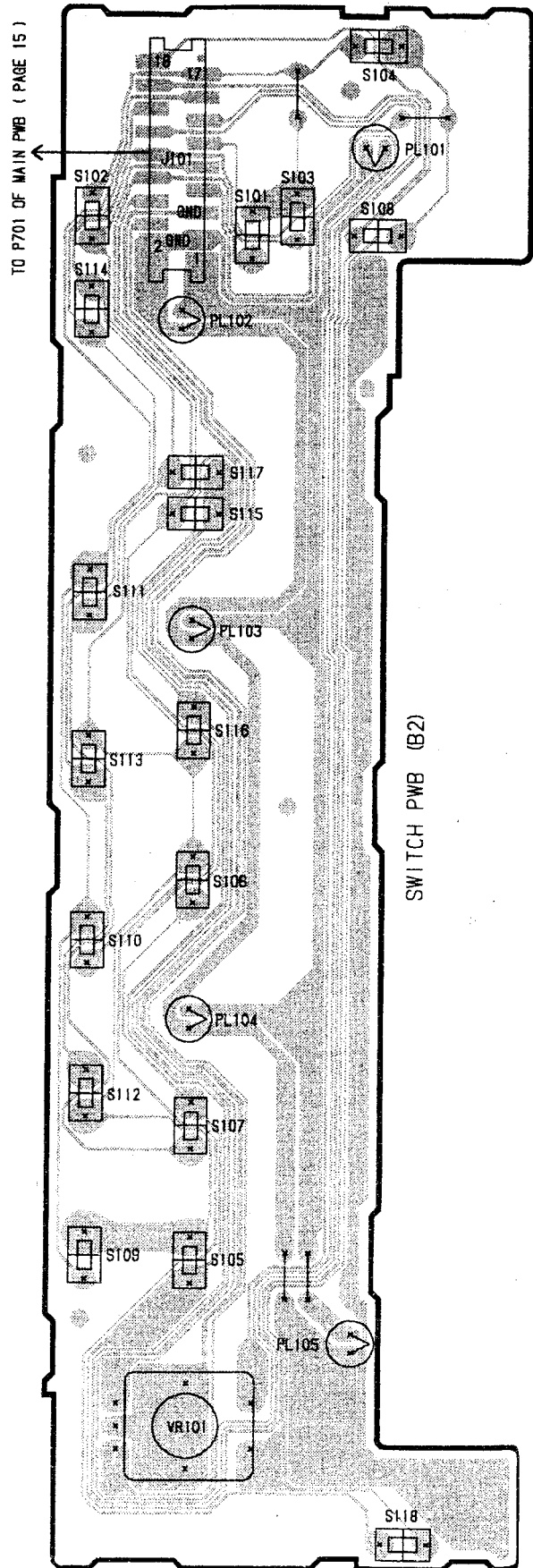


NO.	PART NO.	DESCRIPTION	Q'TY	NO.	PART NO.	DESCRIPTION	Q'TY
1	HBS-463-100	DRIVE UNIT	1	1-15	621-0375-00	SH-BASE	1
1-1	966-0314-21	STOP LINK ASSY	1	1-16	621-0357-03	PICK UP GUIDE	1
1-2	966-0447-22	DR-PLATE ASSY	1	1-17	621-0358-02	LS-HOLDER F	1
1-3	966-0448-21	SIDE PLATE ASSY	1	1-18	621-0359-02	LS - HOLDER R	1
1-4	966-0449-22	CLAMP LINK ASSY	1	1-19	622-1073-02	CLAMPER ROLLER	1
1-5	969-0050-51	PICK UP UNIT	1	1-20	714-2003-81	MACHINE SCREW(M2X3)	10
1-6	013-7100-00	LIMIT SWITCH	1	1-21	716-0675-00	SCREW(M2X2.5)	2
1-7	620-0198-03	CLAMPER PLATE	1	1-22	716-1468-00	SCREW(M2X2.5)	2
1-8	620-0491-03	SPRING PLATE	1	1-23	716-1555-00	WAVE SCREW	1
1-9	620-0690-01	RATTLE PLATE	1	1-24	716-1733-00	SCREW(M2X2.5)	2
1-10	621-0205-02	CLAMPER LINK	1	1-25	732-2004-11	SEMS SCREW	2
1-11	621-0251-03	ROCK LINK	1	1-26	739-1735-17	PRECISION SCREW	2
1-12	621-0252-03	DISC STOPPER	1	1-27	746-0761-00	SCREW(M2X2.5)	2
1-13	621-0253-02	MOTOR HOLDER	1	1-28	750-3097-03	CLAMPER SPRING	1
1-14	621-0255-02	SECOND GEAR	1	1-29	750-3098-00	L-LINK SPRING	1

NO.	PART NO.	DESCRIPTION	Q'TY
30	716-1468-00	SCREW(M2X2.5)	2
31	716-1507-00	SCREW(M2X3)	2
32	716-1670-00	SCREW(M2X3)	6
33	716-1677-00	SCREW(M2X5)	1
34	716-1704-00	SCREW(M2X7)	1
35	716-1742-00	SCREW(M2X5)	1
36	743-1500-10	E-RING	3
37	746-0712-03	WASHER	1
38	746-0762-00	WASHER	1
39	746-0877-02	WASHER	2
40	750-3090-02	RO-SPRING L	1
41	750-3091-03	RO-SPRING R	1
42	750-3092-03	SHIFT SPRING	1
43	750-3094-00	S-ARM SPRING	1
44	750-3096-01	DR-SPRING R	1
45	750-3098-00	L-LINK SPRING	1
46	750-3164-00	DR-SPRING-LR	1
47	750-3188-00	DR-SPRING-F-B	1
48	750-3189-00	SIDE-L-SPRING	1
49	750-3201-00	DR-SPRING-F-R	1
50	750-3202-00	CENTER SPRING-B	1
51	800-4904-60	WIRE(BLK)	1
52	800-4910-60	WIRE(BLK)	1
53	801-4910-60	WIRE(BRN)	1
54	802-4904-60	WIRE(RED)	1
55	802-4910-60	WIRE(RED)	1
56	804-4910-60	WIRE(YEL)	1
57	001-0563-00	DIODE	3
58	HBS-430-100	GEAR PLATE ASSY	1
59	039-1088-03	CD MECH PWB (WITHOUT COMPONENT)	1
60	SMA-147-100	LOADING MOTOR ASSY	1

PRINTED WIRING BOARD

Switch PWB

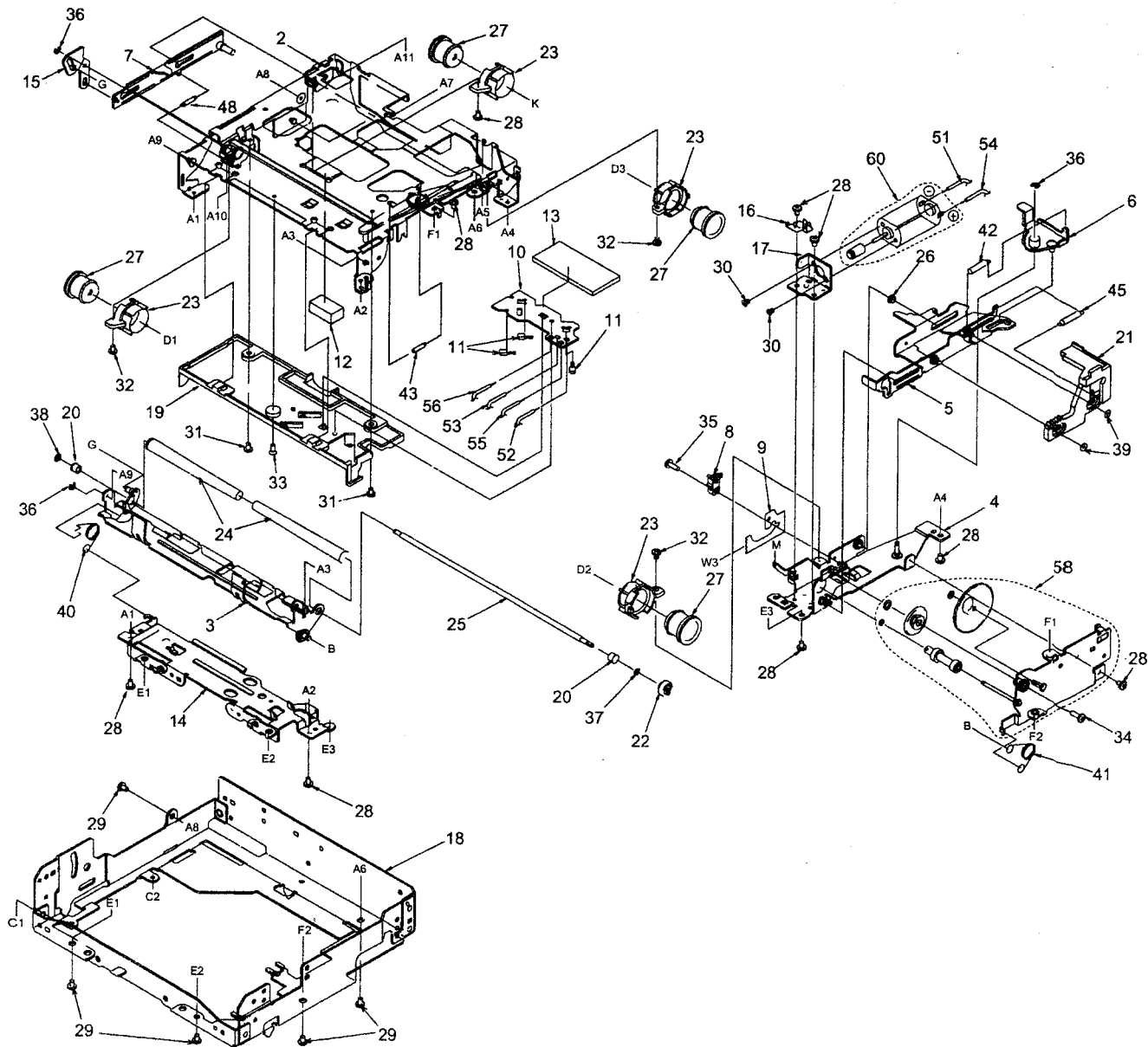


ELECTRICAL PARTS LIST

Switch PWB section(B2)

REF No.	PART No.	DESCRIPTION
J101	074-1151-18	18P
PL101	017-0454-02	14V40mA
PL102	017-0454-02	14V40mA
PL103	017-0454-02	14V40mA
PL104	017-0454-02	14V40mA
PL105	017-0454-02	14V40mA
S101	013-3741-11	SKQCAE
S102	013-3741-11	SKQCAE
S103	013-3741-11	SKQCAE
S104	013-3741-11	SKQCAE
S105	013-3741-11	SKQCAE
S106	013-3741-11	SKQCAE
S107	013-3741-11	SKQCAE
S108	013-3741-11	SKQCAE
S109	013-3741-11	SKQCAE
S110	013-3741-11	SKQCAE
S111	013-3741-11	SKQCAE
S112	013-3741-11	SKQCAE
S113	013-3741-11	SKQCAE
S114	013-3741-11	SKQCAE
S115	013-3741-11	SKQCAE
S116	013-3741-11	SKQCAE
S117	013-3741-11	SKQCAE

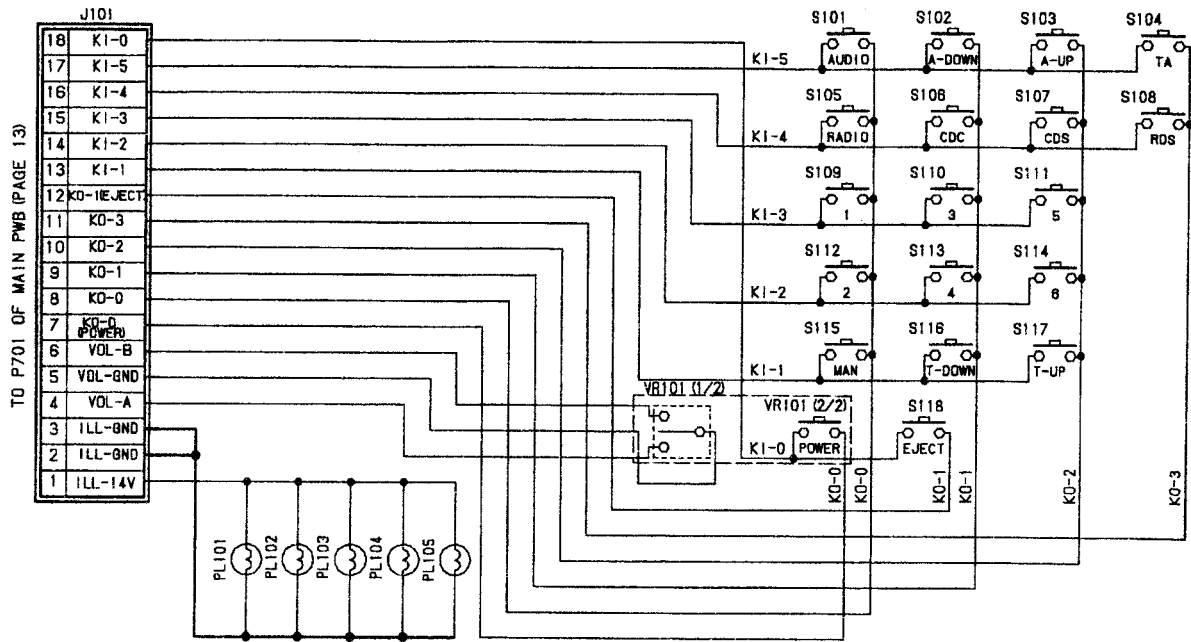
REF No.	PART No.	DESCRIPTION
S118	013-3741-11	SKQCAE
VR101	016-0010-16	EC11B15244



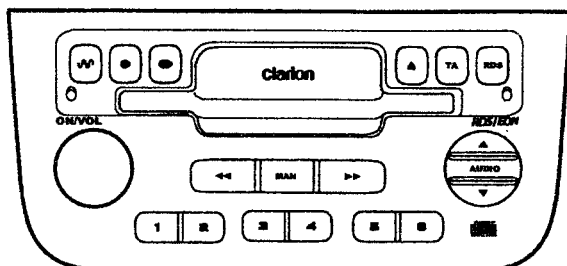
NO.	PART NO.	DESCRIPTION	Q'TY	NO.	PART NO.	DESCRIPTION	Q'TY
1-30	750-3099-00	ES-SPRING	1	12	345-7513-01	CLAMPER SHEET	1
1-31	816-2372-00	WIRE(BLU)	1	13	345-7514-00	S-PWB SHEET	1
1-32	816-2373-00	WIRE(WHT)	1	14	620-0485-04	FRONT PLATE	1
1-33	966-0454-00	SH-ROCK ASSY	1	15	620-0488-01	S-L-LINK PLATE	1
1-34	HBS-432-100	LS-GEAR ASSY	1	16	620-0489-02	MOTOR PLATE	1
1-35	SMA-146-100	SLED MOTOR ASSY	1	17	620-0492-01	MOTOR BRACKET	1
1-36	SMA-151-100	SPINDLE MOTOR ASSY	1	18	620-0773-81	MECH BRACKET	1
2	966-0308-10	CHASSIS ASSY	1	19	621-0402-01	U-DISC GUIDE F	1
3	966-0309-20	L-DISC-G-ASSY	1	20	621-0243-02	ROLLER SLAVE	2
4	966-0310-21	SHIFT-P-CH-ASSY	1	21	621-0248-07	RACK GEAR	1
5	966-0312-21	SHIFT-P-ASSY	1	22	621-0249-02	ROLLER GEAR	1
6	966-0358-21	DRIVE-L-PL-ASSY	1	23	621-0250-01	DAMPER HOLDER	4
7	966-0359-21	SIDE-L-PL-ASSY	1	24	621-0258-03	LOADING ROLLER	2
8	013-3879-01	CHUCKING SWITCH	1	25	622-1072-05	ROLLER SHAFT	1
9	039-0586-01	CHUCKING SWITCH PWB (WITHOUT COMPONENT)	1	26	622-1219-01	SHIFT ROLLER	1
10	039-0588-01	SENSOR PWB (WITHOUT COMPONENT)	1	27	629-0058-00	DAMPER-VA	4
11	060-0252-01	PHOTO TR (PT4850F)	3	28	714-2003-81	MACHINE SCREW(M2X3)	8
				29	714-2603-81	MACHINE SCREW(M2.6X3)	5

CIRCUIT DIAGRAM

Switch PWB(B2)



Service Manual



PEUGEOT Automobile Genuine
RDS/FM/MW/LW Radio
CD Stereo

Model **PU-2184A**
(Genuine No. 96 367 050 80)



CLAR -00493

■ SPECIFICATIONS

Radio section

Tuning system: PLL frequency synthesizer system

Receive range: FM 87.5MHz to 108.0MHz

MW 531kHz to 1,602kHz

LW 153kHz to 279kHz

Intermediate frequency:

FM 10.7 ± 0.2 MHz

MW 450 ± 3 kHz

LW 450 ± 3 kHz

Quieting sensitivity: FM Less than 13dB μ (at 30dB S/N)

MW Less than 36dB μ (at 20dB S/N)

LW Less than 43dB μ (at 20dB S/N)

Separation: FM More than 20dB

Auto tuning stop sensitivity:

FM 22 ± 8 dB μ

MW 30 ± 10 dB μ

LW 30 ± 10 dB μ

CD player section

Separation: More than 65dB

S/N ratio: More than 80dB

Distortion: Less than 1.0%

General

Load impedance: 4 Ω

Output power: More than 10W \times 4

Power supply voltage: DC13.5V

Negative ground

Current consumption: Less than 10A

Dimensions(mm): 226.5(W) \times 105.6(H) \times 226.5(D)

Weight: 1.55kg

※ Specifications and design are subject to change without notice for further improvement.

■ COMPONENTS

PU-2184A-A

Main unit

1

■ NOTE

※ We cannot supply PWB with component parts in principle. When a circuit on PWB has failure, please repair it by component parts base. Parts which are not mentioned in service manual are not supplied.

■ To engineers in charge of repair or inspection of our products.

Before repair or inspection, make sure to follow the instructions so that customers and Engineers in charge of repair or inspection can avoid suffering any risk or injury.

1. Use specified parts.

The system uses parts with special safety features against fire and voltage. Use only parts with equivalent characteristics when replacing them.

The use of unspecified parts shall be regarded as remodeling for which we shall not be liable. The onus of product liability (PL) shall not be our responsibility in cases where an accident or failure is as a result of unspecified parts being used.

2. Place the parts and wiring back in their original positions after replacement or re-wiring.

For proper circuit construction, use of insulation tubes, bonding, gaps to PWB, etc, is involved. The wiring connection and routing to the PWB are specially planned using clamps to keep away from heated and high voltage parts. Ensure that they are placed back in their original positions after repair or inspection.

If extended damage is caused due to negligence during repair, the legal responsibility shall be with the repairing

company.

3. Check for safety after repair.

Check that the screws, parts and wires are put back securely in their original position after repair. Ensure for safety reasons there is no possibility of secondary problems around the repaired spots.

If extended damage is caused due to negligence of repair, the legal responsibility shall be with the repairing company.

4. Caution in removal and making wiring connection to the parts for the automobile.

Disconnect the battery terminal after turning the ignition key off. If wrong wiring connections are made with the battery connected, a short circuit and/or fire may occur. If extensive damage is caused due to negligence of repair, the legal responsibility shall be with the repairing company.

5. Cautions regarding chips.

Do not reuse removed chips even when no abnormality is observed in their appearance. Always replace them with new ones. (The chip parts include resistors, capacitors, diodes, transistors, etc). The negative pole of tantalum capacitors is highly susceptible to heat, so use special care when replacing them and check the operation afterwards.

6. Cautions in handling flexible PWB

Before working with a soldering iron, make sure that the iron tip temperature is around 270°C. Take care not to apply the iron tip repeatedly (more than three times) to the same patterns. Also take care not to apply the tip with force.

7. Turn the unit OFF during disassembly and parts replacement. Recheck all work before you apply power to the unit.

8. Cautions in checking that the optical pickup lights up.

The laser is focused on the disc reflection surface through the lens of the optical pickup. When checking that the laser optical diode lights up, keep your eyes more than 30cms away from the lens. Prolonged viewing of the laser within 30cms may damage your eyesight.

9. Cautions in handling the optical pickup

The laser diode of the optical pickup can be damaged by electrostatic charge caused by your clothes and body. Make sure to avoid electrostatic charges on your clothes or body, or discharge static electricity before handling the optical pickup.

9-1. Laser diode

The laser diode terminals are shorted for transportation in order to prevent electrostatic damage. After replacement, open the shorted circuit. When removing the pickup from the mechanism, short the terminals by soldering them to prevent this damage.

9-2. Actuator

The actuator has a powerful magnetic circuit. If a magnetic material is put close to it, its characteristics will change. Ensure that no foreign substances enter through the ventilation slots in the cover.

9-3. Cleaning the lens

Dust on the optical lens affects performance. To clean the lens, apply a small amount of isopropyl alcohol to lens paper and wipe the lens gently.

ADJUSTMENTS

Item	Procedure	Measuring instrument
FM S-meter	1. Press the RDS button and M6 button to set RDS test mode. 2. Input a 98.1MHz/30dB μ (1kHz, 30% mod) signal. 3. Adjust VR101 of the tuner pack so that an output of TP101 is 2.8V.	SSG Milli volt meter

EXPLANATION OF IC

μ PD784216BGC-103-8EU 052-1156-00 CD, Radio, VAN-Bus Controller

1. Outward Form : 100 pins QFP

2. Terminal Description

- pin 1 : KI 3 : IN : Key scan signal input.
- pin 2 : KI 4 : IN : Key scan signal input.
- pin 3 : KI 5 : IN : Key scan signal input.
- pin 4 : RDS DATA : IN : RDS serial data input.
- pin 5 : NOISE CLR : O : Noise clear signal output.
- pin 6 : RDS MUTE : O : "H"= RDS mute ON.
- pin 7 : FM SD : IN : "H"= FM station detected.
- pin 8 : AM SD : IN : "H"= AM station detected.
- pin 9 : VDD : - : Positive supply voltage.
- pin 10 : X 2 : - : Crystal connection (12MHz).
- pin 11 : X 1 : IN : Crystal connection (12MHz).
- pin 12 : VSS : - : Ground.
- pin 13 : XT 2 : - : Not in use.
- pin 14 : XT 1 : IN : Not in use.
- pin 15 : RESET_ : IN : Reset signal input. "L"= Reset.
- pin 16 : SUB SYNC : IN : Sub cord block synchronizing pulse input from CD.
- pin 17 : VAN INT_ : IN : VAN interrupt signal input. Negative logic.
- pin 18 : RDS CLCK : IN : RDS clock pulse input.
- pin 19 : KI 0 : IN : Key scan signal input.
- pin 20 : BACKUP DET : IN : Backup interrupt signal input. "H"= Backup ON.
- pin 21 : +VAN DET_ : IN : +VAN power supply ON signal input. "L"= +VAN ON.
- pin 22 : N.C. : IN : Not in use.

- pin 23 : A VDD : - : Positive supply voltage.
- pin 24 : A Vref 0 : - : Reference voltage input for A/D converter.
- pin 25 : NOISE IN : IN : Input terminal of A/D converter to detect the Noise of FM.
- pin 26 : N.C. : IN : Not in use.
- pin 27 : S METER : IN : Input terminal of Internal A/D converter to detect the Voltage of FM S meter.
- pin 28 : DIAG PHATM : IN : Input terminal of Internal A/D converter to detect the PHANTOM circuit.
- pin 29 : PLL DI : IN : PLL serial data input.
- pin 30 : N.C. : IN : Not in use.
- pin 31 : N.C. : IN : Not in use.
- pin 32 : MUTE DET : IN : Input terminal of Internal A/D converter to detect the Voltage of Backup Line.
- pin 33 : A VSS : - : Ground.
- pin 34 : SD SPD UP : O : FM SD speed control signal output. "L"= FM seek.
- pin 35 : EEPROM DI : IN : Serial data input from EEPROM.
- pin 36 : A Vref 1 : - : Connect to VDD.
- pin 37 : PLL/ROM DO : O : Serial data output to PLL and EEPROM.
- pin 38 : PLL/ROM CK : O : Clock pulse output to PLL and EEPROM.
- pin 39 : EEPROM CE : O : Chip enable signal output to EEPROM.
- pin 40 : PLL CE : O : Chip enable signal output to PLL.
- pin 41 : N.C. : IN : Not in use.
- pin 42 : A MUTE_ : O : Mute signal output to Audio power amplifier IC. "L"= Mute ON.
- pin 43 : JBL AMP RM : O : "H"= External Audio amplifier ON.
- pin 44 : BEEP : O : Beep output.
- pin 45 : VOL CLK : O : Clock pulse output to Electric volume IC.
- pin 46 : VOL DATA : O : Serial data output to Electric volume IC.
- pin 47 : VOL CE : O : Chip enable signal output to Electric volume IC.

pin 48 : VOL MUTE_	: O	: Mute signal output to Electric volume IC. "L"= Mute ON.	pin 8 : A OUT	: O	: Audio data output.
pin 49 : 5V REM_	: O	: 5V power supply circuit control signal output. "L"= ON.	pin 9 : D OUT	: O	: Digital output.
pin 50 : 14V REM	: O	: 14V power supply circuit control signal output. "H"= ON.	pin 10 : MBOV	: O	: Buffer memory over signal output.
pin 51 : +VAN ON	: O	: "H"= ACC(+VAN)ON.	pin 11 : IPF	: O	: Compensation flag output.
pin 52 : TEL MUTE	: IN	: "H"= Tel mute ON.	pin 12 : SBOK	: O	: CRCC judgement output of Sub Q data. "H"=OK.
pin 53 : N.C.	: IN	: Not in use.	pin 13 : CLOCK	: I/O	: Clock output/input to read Sub cord P to W.
pin 54 : CD 8V ON	: O	: CD 8V power supply circuit control signal output. "H"= ON.	pin 14 : VDD	: -	: Positive supply voltage terminal.
pin 55 : CD 5V ON	: O	: CD 5V power supply circuit control signal output. "H"= ON.	pin 15 : VSS	: -	: Ground.
pin 56 : AD 0	: I/O	: Data input/output terminal of VAN-Bus.	pin 16 : DATA	: O	: Sub cord P to W data output.
pin 57 : AD 1	: I/O	: Data input/output terminal of VAN-Bus.	pin 17 : SF SY	: O	: Frame synchronize signal output.
pin 58 : AD 2	: I/O	: Data input/output terminal of VAN-Bus.	pin 18 : SB SY	: O	: Sub cord block synchronize signal output.
pin 59 : AD 3	: I/O	: Data input/output terminal of VAN-Bus.	pin 19 : SP CK	: O	: Clock signal output to read processor status. (176.4kHz)
pin 60 : AD 4	: I/O	: Data input/output terminal of VAN-Bus.	pin 20 : SP DA	: O	: Processor status signal output.
pin 61 : AD 5	: I/O	: Data input/output terminal of VAN-Bus.	pin 21 : COFS	: O	: Correction frame clock output. (7.35kHz)
pin 62 : AD 6	: I/O	: Data input/output terminal of VAN-Bus.	pin 22 : MONIT	: O	: Not in use.
pin 63 : AD 7	: I/O	: Data input/output terminal of VAN-Bus.	pin 23 : VDD	: -	: Positive supply voltage terminal.
pin 64 : N.C.	: IN	: Not in use.	pin 24 : TESIO0	: IN	: Not in use.
pin 65 : N.C.	: IN	: Not in use.	pin 25 : P2Vref	: -	: (Reference voltage)X2 terminal for PLL.
pin 66 : N.C.	: IN	: Not in use.	pin 26 : HSSW	: O	: pin26=Vref : X2-speed or X4-speed.
pin 67 : N.C.	: IN	: Not in use.	pin 27 : Z DET	: O	: 0 flag output of 1 bit DAC.
pin 68 : CD 0 FLAG	: IN	: 0 flag input from CD.	pin 28 : PDO	: O	: Error signal output. (EFM - PLCK)
pin 69 : CD BUS 0	: I/O	: Data bus line connected to CD.	pin 29 : TMAX S	: O	: TMAX detect signal output.
pin 70 : CD BUS 1	: I/O	: Data bus line connected to CD.	pin 30 : TMAX	: O	: TMAX detect signal output.
pin 71 : CD BUS 2	: I/O	: Data bus line connected to CD.	pin 31 : LPF N	: IN	: Inverted input of amplifier for LPF.
pin 72 : VSS	: -	: Ground.	pin 32 : LPF O	: O	: Output of amplifier for LPF.
pin 73 : CD BUS 3	: I/O	: Data bus line connected to CD.	pin 33 : PVref	: -	: Reference voltage terminal for PLL.
pin 74 : CD DET	: IN	: Not in use.	pin 34 : VCOref	: -	: Reference voltage terminal for VCO.
pin 75 : VAN WU	: O	: Wake up signal output to VAN IC.	pin 35 : VCO F	: O	: Output of filter for VCO.
pin 76 : VAN RESET	: O	: Reset signal output to VAN IC.	pin 36 : AVSS	: -	: Analog ground.
pin 77 : VAN RD_	: O	: Read strobe signal output to VAN IC. Negative logic.	pin 37 : SLCO	: O	: Output of DAC for data slice level.
pin 78 : VAN WR_	: O	: Write strobe signal output to VAN IC. Negative logic.	pin 38 : RF IN	: IN	: RF signal input.
pin 79 : VAN CS	: O	: Chip select signal output to VAN IC.	pin 39 : AVDD	: -	: Positive voltage supply for analog.
pin 80 : VAN ALE	: O	: Latch strobe signal output to VAN IC.	pin 40 : RFCT	: IN	: Center level input of RFRP signal.
pin 81 : VDD	: -	: Positive supply voltage.	pin 41 : RFZI	: IN	: RFRP 0 cross.
pin 82 : DIMMER OUT	: O	: Dimmer signal output.	pin 42 : RFRP	: IN	: RF ripple signal input.
pin 83 : CD BUCK	: O	: Clock pulse output to CD.	pin 43 : FEI	: IN	: Focus error signal input.
pin 84 : CD CEE_	: O	: Chip enable signal output to CD.	pin 44 : SBAD	: IN	: Sub beam addition signal input.
pin 85 : CD RESET_	: O	: Reset pulse output to CD. "L"= Reset.	pin 45 : TSIN	: IN	: Not in use.
pin 86 : CD CHU SW	: IN	: Chuking signal input from CD.	pin 46 : TEI	: IN	: Tracking error input.
pin 87 : CD TR A	: IN	: Photo sensor signal input from CD.	pin 47 : TEZI	: IN	: Tracking error , 0 cross input.
pin 88 : CD TR B	: IN	: Photo sensor signal input from CD.	pin 48 : FO O	: O	: Focusing equalizer output.
pin 89 : CD TR C	: IN	: Photo sensor signal input from CD.	pin 49 : TR O	: O	: Tracking equalizer output.
pin 90 : CD CCW	: O	: Loading motor control signal output. Ref. Table 1.	pin 50 : Vref	: -	: Reference voltage for analog.
pin 91 : CD CW	: O	: Loading motor control signal output. Ref. Table 1.	pin 51 : RFGC	: O	: RF gain control signal output.
pin 92 : VOL A	: IN	: Volume control pulse input from Volume switch.	pin 52 : TEBG	: O	: Tracking balance control signal output.
pin 93 : VOL B	: IN	: Volume control pulse input from Volume switch.	pin 53 : FMO	: O	: Field equalizer output.
pin 94 : VPP	: -	: Connect to ground.	pin 54 : FVO	: O	: Field error or Field search EQ output.
pin 95 : KO 0	: O	: Key scan signal output.	pin 55 : DMO	: O	: Disc equalizer output.
pin 96 : KO 1	: O	: Key scan signal output.	pin 56 : 2Vref	: -	: 2 X Vref for analog.
pin 97 : KO 2	: O	: Key scan signal output.	pin 57 : SEL	: O	: Laser ON and UHS="H" : output "H"
pin 98 : KO 3	: O	: Key scan signal output.	pin 58 : FLG A	: O	: Monitor signal output.
pin 99 : KI 1	: IN	: Key scan signal input.	pin 59 : FLG B	: O	: Monitor signal output.
pin 100 : KI 2	: IN	: Key scan signal input.	pin 60 : FLG C	: O	: Monitor signal output.
			pin 61 : FLG D	: O	: Monitor signal output.
			pin 62 : VDD	: -	: Positive supply voltage.
			pin 63 : VSS	: -	: Ground.
			pin 64 : IO 0	: I/O	: I/O port.
			pin 65 : IO 1	: I/O	: I/O port.
			pin 66 : IO 2	: I/O	: I/O port.
			pin 67 : IO 3	: I/O	: I/O port.
			pin 68 : DMOUT	: IN	: Not in use.
			pin 69 : CKSE	: IN	: Not in use.
			pin 70 : DACT	: IN	: Not in use.
			pin 71 : TESIN	: IN	: Not in use.
			pin 72 : TESIO1	: IN	: Not in use.
			pin 73 : VSS	: -	: Ground.
			pin 74 : PX I	: IN	: DSP oscillator input.
			pin 75 : PX O	: O	: DSP oscillator output.
			pin 76 : VDD	: -	: Positive supply voltage.
			pin 77 : X VSS	: -	: Ground for system oscillator clock.
			pin 78 : X I	: IN	: System clock oscillator input.
			pin 79 : X O	: O	: System clock oscillator output.
			pin 80 : X VDD	: -	: Positive supply voltage for system clock oscillator.
			pin 81 : D VSR	: -	: Positive supply voltage for right channel DAC.
			pin 82 : R O	: O	: Right channel data non-inverted output.
			pin 83 : D VDD	: -	: Positive supply voltage for DAC.
			pin 84 : D Vref	: -	: Reference voltage.
			pin 85 : L O	: O	: Left channel data non-inverted output.
			pin 86 : D VS L	: -	: Positive supply voltage for left channel DAC.

Table1.Loading motor control signal output.

	Loading	Eject	Brake	Stop
CD CW (pin 91)	H	L	H	L
CD CCW(pin 90)	L	H	H	L

■ TC9462F 051-6342-00 Digital signal processor for CD

1. Outward Form : 100 pins QFP

2. Function : Sync. separation, EFM, Error correction

3. Terminal Description

pin 1 : TEST0	: IN	: Not in use.
pin 2 : HSO	: O	: Playback mode flag output. Ref. Table 1.
pin 3 : UHSO	: O	: Playback mode flag output. Ref. Table 1.
pin 4 : EMPH	: O	: Emphasis flag output of Sub cord Q data. "H"= emphasis ON.
pin 5 : LR CK	: O	: Channel clock output. (44.1kHz)
pin 6 : VSS	: -	: Ground.
pin 7 : B CK	: O	: Bit clock output. (1.4122MHz)

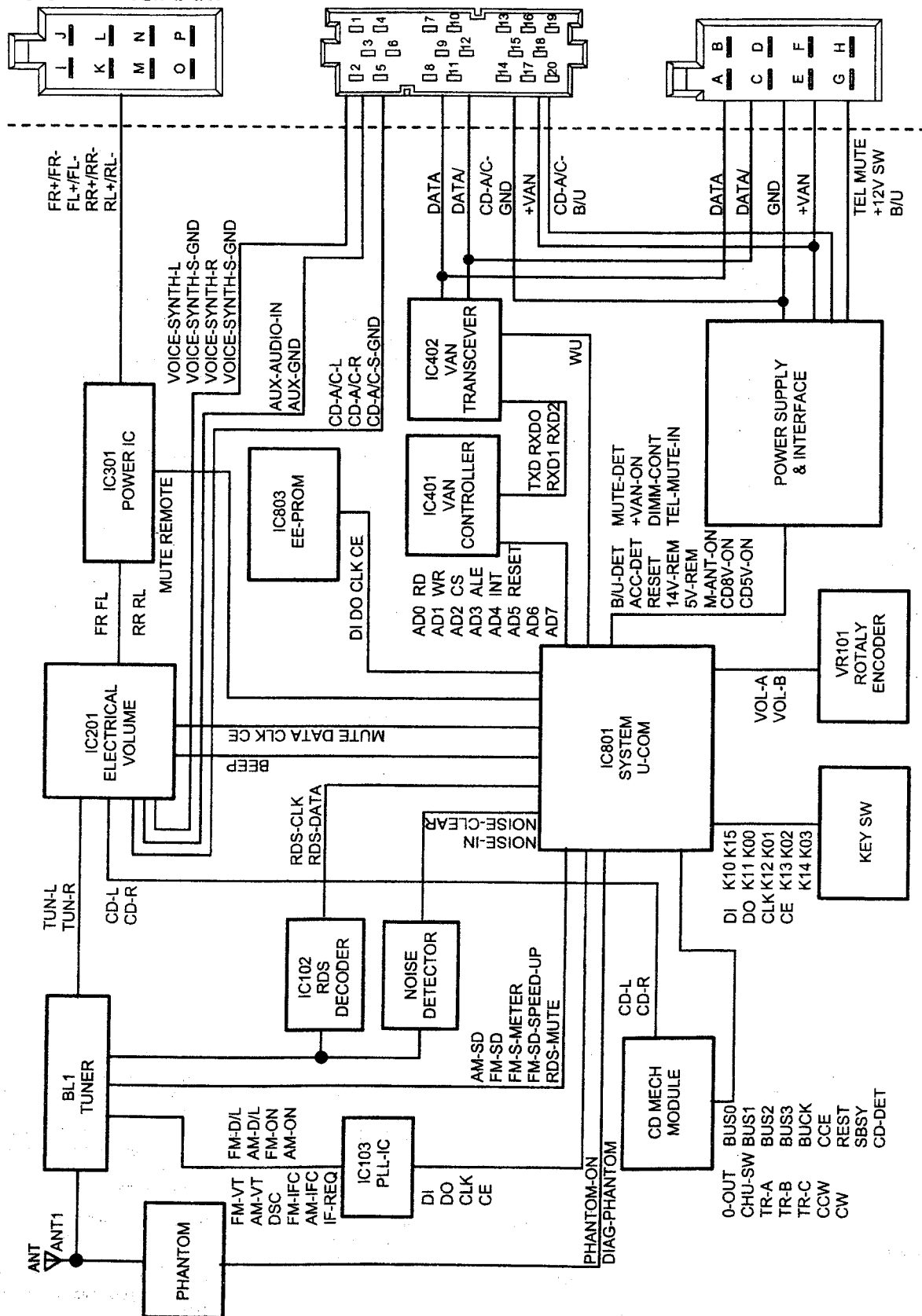
pin 87: TEST 1 : IN : Not in use.
 pin 88: TEST 2 : IN : Not in use.
 pin 89: TEST 3 : IN : Not in use.
 pin 90: BUS 0 : I/O : Data bus to micro computer.
 pin 91: BUS 1 : I/O : Data bus to micro computer.
 pin 92: BUS 2 : I/O : Data bus to micro computer.
 pin 93: BUS 3 : I/O : Data bus to micro computer.
 pin 94: VDD : - : Positive supply voltage.
 pin 95: VSS : - : Ground.
 pin 96: BUS CK : IN : Clock input for data bus.
 pin 97: CCE : IN : Chip enable signal input. Negative logic.

pin 98: TEST 4 : IN : Not in use.
 pin 99: TS MOD : IN : Not in use.
 pin100: RST : IN : Reset signal input. Negative logic.

Table 1. Playback speed flag.

Play back speed	UHSO(pin3)	HSO(pin2)
Normal speed X 1	H	H
Normal speed X 2	H	L
Normal speed X 4	L	H
.....	L	L

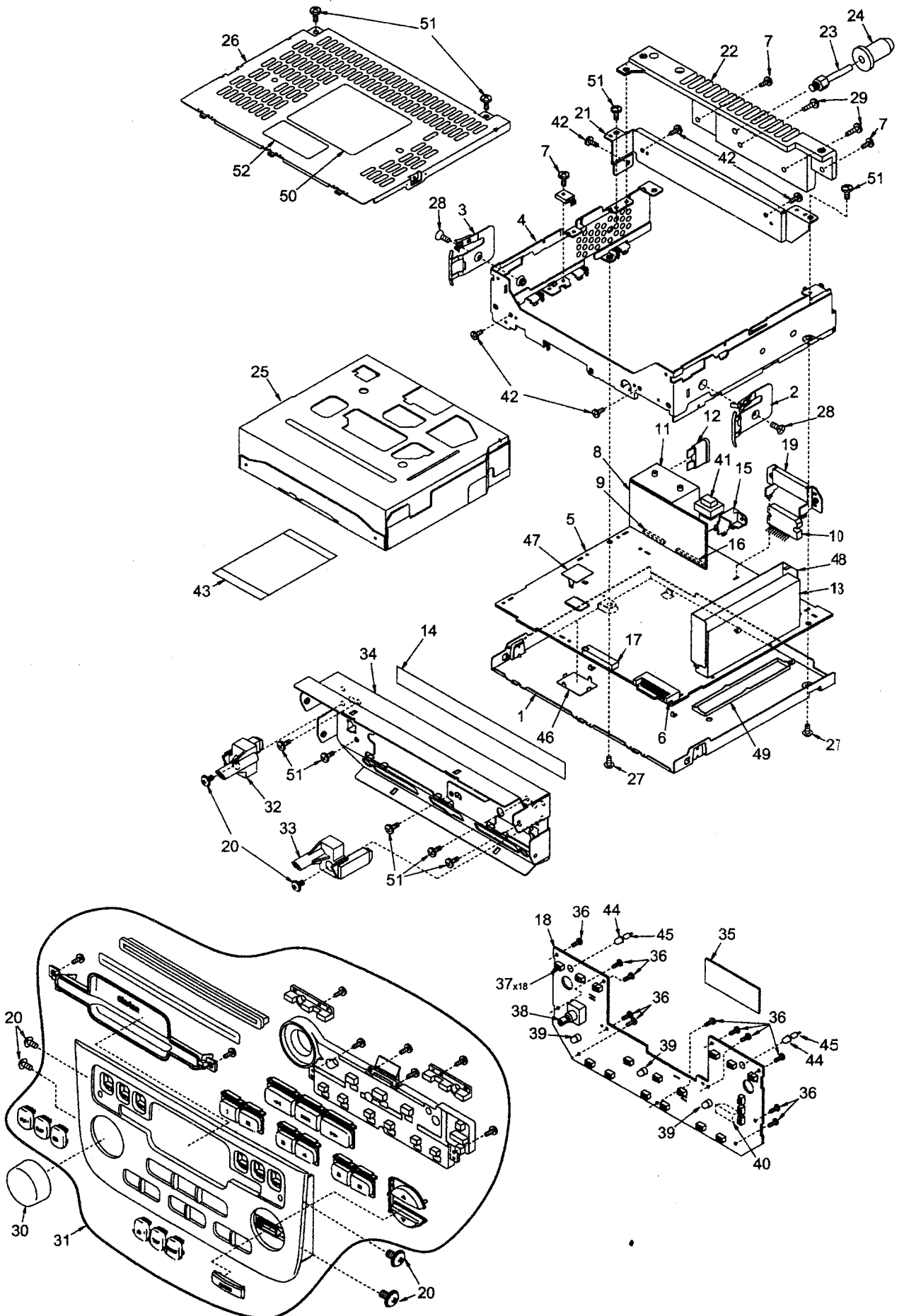
BLOCK DIAGRAM



EXPLODED VIEW • PARTS LIST

Main section

The parts list is on next page.



Main section

NO.	PART NO.	DESCRIPTION	Q'TY
1	311-1765-01	LOWER CASE	1
2	750-3318-00	SPRING(R)	1
3	750-3317-00	SPRING(L)	1
4	312-0433-10	MAIN CHASSIS	1
5	039-1429-01	MAIN PWB (WITHOUT COMPONENT)	1
6	076-0540-18	PLUG	1
7	714-2606-81	MACHINE SCREW(M2.6X6)	3
8	039-1354-00	ISO PWB (WITHOUT COMPONENT)	1
9	076-0324-10	PLUG	1
10	051-2013-00	IC	1
11	074-1159-01	OUTLET SOCKET	1
12	060-0057-56	AUTO FUSE(10A)	1
13	880-2084A	AM/FM TUNER PACK	1
14	347-5925-00	HOLE COVER	1
15	331-2577-00	ISO HOLDER	1
16	076-0324-14	PLUG	1
17	074-1186-26	PLUG	1
18	039-1431-00	SWITCH PWB (WITHOUT COMPONENT)	1
19	331-2574-00	IC HOLDER	1
20	780-2605-00	IT-SCREW(M2.6X5)	6
21	331-2637-00	MECHANISM BRACKET	1
22	313-1750-00	HEAT SINK	1
23	716-1831-00	REAR BOLT	1
24	345-4847-01	STOPPER	1
25	929-0091-80	CD MECHANISM	1
26	310-1669-01	UPPER CASE	1

NO.	PART NO.	DESCRIPTION	Q'TY
27	716-0878-00	IT-SCREW	2
28	731-3008-40	TAPTIGHT SCREW(M3X8)	2
29	714-2610-81	MACHINE SCREW(M2.6X10)	2
30	380-5430-00	KNOB	1
31	940-7869-61	ESCUTCHEON ASSY	1
32	335-5750-01	MOUNTING MOLD(L)	1
33	335-5749-01	MOUNTING MOLD(R)	1
34	309-0716-01	FRONT PLATE	1
35	345-8315-00	INSULATOR	1
36	716-0778-00	WAVE SCREW(M2X6)	11
37	013-3741-11	SWITCH	18
38	016-0010-12	VARIABLE RESISTOR	1
39	017-0454-00	PILOT LAMP(14V 40mA)	3
40	074-1211-18	OUTLET SOCKET	1
41	009-9006-60	CHOKE COIL	1
42	714-2303-81	MACHINE SCREW(M2.3X3)	5
43	816-2488-00	FLAT WIRE	1
44	345-3814-79	LAMP CAP	2
45	017-0345-09	PILOT LAMP (14V 40mA)	2
46	331-2573-00	SHIELD CASE	1
47	331-2578-00	SHIELD CASE	1
48	331-2638-00	SHIELD CASE	1
49	331-2639-00	SHIELD CASE	1
50	286-8497-24	SETPLATE	1
51	731-2608-80	TAPTIGHT SCREW(M2.6X8)	9
52	285-1633-10	GUIDE LABEL	1

CD mechanism section : 929-0091-80

NO.	PART NO.	DESCRIPTION	Q'TY	NO.	PART NO.	DESCRIPTION	Q'TY
1	HBS-463-100	DRIVE UNIT	1	14	620-0485-04	FRONT PLATE	1
1-1	966-0314-21	STOP LINK ASSY	1	15	620-0488-01	S-L-LINK PLATE	1
1-2	966-0447-22	DR-PLATE ASSY	1	16	620-0489-02	MOTOR PLATE	1
1-3	966-0448-21	SIDE PLATE ASSY	1	17	620-0492-01	MOTOR BRACKET	1
1-4	966-0449-22	CLAMP LINK ASSY	1	18	620-0773-81	MECH BRACKET	1
1-5	969-0050-51	PICK UP UNIT	1	19	621-0402-01	U-DISC GUIDE F	1
1-6	013-7100-00	LIMIT SWITCH	1	20	621-0243-02	ROLLER SLAVE	2
1-7	620-0198-03	CLAMPER PLATE	1	21	621-0248-07	RACK GEAR	1
1-8	620-0491-03	SPRING PLATE	1	22	621-0249-02	ROLLER GEAR	1
1-9	620-0690-01	RATTLE PLATE	1	23	621-0250-01	DAMPER HOLDER	4
1-10	621-0205-02	CLAMPER LINK	1	24	621-0258-03	LOADING ROLLER	2
1-11	621-0251-03	ROCK LINK	1	25	622-1072-05	ROLLER SHAFT	1
1-12	621-0252-03	DISC STOPPER	1	26	622-1219-01	SHIFT ROLLER	1
1-13	621-0253-02	MOTOR HOLDER	1	27	629-0058-00	DAMPER-VA	4
1-14	621-0255-02	SECOND GEAR	1	28	714-2003-81	MACHINE SCREW(M2X3)	9
1-15	621-0375-00	SH-BASE	1	29	714-2603-81	MACHINE SCREW(M2.6X3)	5
1-16	621-0357-03	PICK UP GUIDE	1	30	716-1468-00	SCREW(M2X2.5)	3
1-17	621-0358-02	LS-HOLDER F	1	31	716-1507-00	SCREW(M2X3)	2
1-18	621-0359-02	LS - HOLDER R	1	32	716-1670-00	SCREW(M2X3)	6
1-19	622-1073-02	CLAMPER ROLLER	1	33	716-1677-00	SCREW(M2X5)	1
1-20	714-2003-81	MACHINE SCREW(M2X3)	10	34	716-1704-00	SCREW(M2X7)	1
1-21	716-0675-00	SCREW(M2X2.5)	2	35	716-1742-00	SCREW(M2X5)	1
1-22	716-1468-00	SCREW(M2X2.5)	2	36	743-1500-10	E-RING	3
1-23	716-1555-00	WAVE SCREW	1	37	746-0712-03	WASHER	1
1-24	716-1733-00	SCREW(M2X2.5)	2	38	746-0762-00	WASHER	1
1-25	732-2004-11	SEMS SCREW	2	39	746-0877-02	WASHER	2
1-26	739-1735-17	PRECISION SCREW	2	40	750-3090-02	RO-SPRING L	1
1-27	746-0761-00	SCREW(M2X2.5)	2	41	750-3091-03	RO-SPRING R	1
1-28	750-3097-03	CLAMPER SPRING	1	42	750-3092-03	SHIFT SPRING	1
1-29	750-3098-00	L-LINK SPRING	1	43	750-3094-00	S-ARM SPRING	1
1-30	750-3099-00	ES-SPRING	1	44	750-3096-01	DR-SPRING R	1
1-31	816-2372-00	WIRE(BLU)	1	45	750-3098-00	L-LINK SPRING	1
1-32	816-2373-00	WIRE(WHT)	1	46	750-3164-00	DR-SPRING-LR	1
1-33	966-0454-00	SH-ROCK ASSY	1	47	750-3188-00	DR-SPRING-F-B	1
1-34	HBS-432-100	LS-GEAR ASSY	1	48	750-3189-00	SIDE-L-SPRING	1
1-35	SMA-146-100	SLEDMOTOR ASSY	1	49	750-3201-00	DR-SPRING-F-R	1
1-36	SMA-151-100	SPINDLE MOTOR ASSY	1	50	750-3348-00	CENTER SPRING	1
2	966-0308-10	CHASSIS ASSY	1	51	800-4904-60	WIRE(BLK)	1
3	966-0309-20	L-DISC-G-ASSY	1	52	800-4910-60	WIRE(BLK)	1
4	966-0310-21	SHIFT-P-CH-ASSY	1	53	801-4910-60	WIRE(BRN)	1
5	966-0312-21	SHIFT-P-ASSY	1	54	802-4904-60	WIRE(RED)	1
6	966-0358-21	DRIVE-L-PL-ASSY	1	55	802-4910-60	WIRE(RED)	1
7	966-0359-21	SIDE-L-PL-ASSY	1	56	804-4910-60	WIRE(YEL)	1
8	013-3879-01	CHUCKING SWITCH	1	57	001-0563-00	DIODE	3
9	039-0586-01	CHUCKING SWITCH PWB (WITHOUT COMPONENT)	1	58	HBS-430-100	GEAR PLATE ASSY	1
10	039-0588-01	SENSOR PWB (WITHOUT COMPONENT)	1	59	039-1088-03	CD MECH PWB (WITHOUT COMPONENT)	1
11	060-0252-01	PHOTO TR (PT4850F)	3	60	SMA-147-100	LOADING MOTOR ASSY	1
12	345-7513-01	CLAMPER SHEET	1	61	620-0804-00	CE-SP-PLATE F	1
13	345-7514-00	S-PWB SHEET	1	62	620-0803-00	CE-SP-PLATE R	1

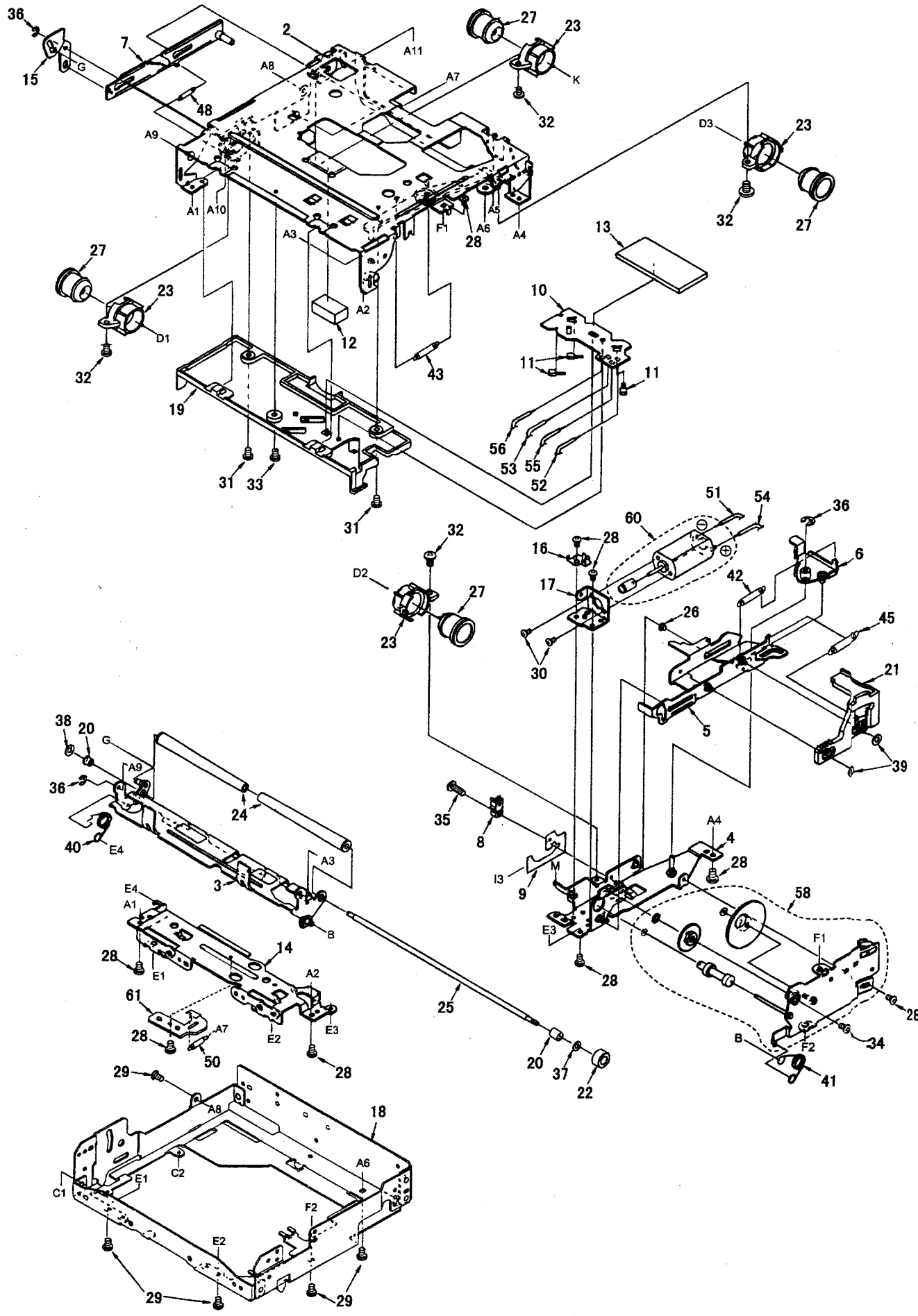
ELECTRICAL PARTS LIST

Main PWB section(B1)

Note) Several different parts of the same reference number are alternative parts.

One of those parts is used in the set.

REF No.	PART No.	DESCRIPTION	REF No.	PART No.	DESCRIPTION	REF No.	PART No.	DESCRIPTION
BL101	880-2084A	AM-FM-TUNER	C222	183-1056-61	50V1 μ F NP	C810	176-1011-00	100pF CH
C1	183-1063-31	16V10 μ F	C223	183-1056-61	50V1 μ F NP	C811	178-1532-78	0.015 μ F
C2	178-3332-78	0.033 μ F	C224	178-3332-78	0.033 μ F	C812	178-1032-78	0.01 μ F
C3	178-1042-78	0.1 μ F	C225	178-3332-78	0.033 μ F	CCT801	050-0140-54	1k Ω X4
C4	176-2201-00	22pF CH	C226	178-1032-78	0.01 μ F	CCT802	050-0140-54	1k Ω X4
C6	183-4763-11	6.3V47 μ F	C227	178-1032-78	0.01 μ F	CCT803	050-0140-54	1k Ω X4
C101	178-2232-78	0.022 μ F	C228	178-3312-78	330pF	CCT804	050-0140-54	1k Ω X4
C102	178-2232-78	0.022 μ F	C229	178-3312-78	330pF	CCT805	050-0140-54	1k Ω X4
C103	178-3322-78	3300pF	C230	183-1063-31	16V10 μ F	CCT806	050-0140-54	1k Ω X4
C105	183-2253-62	50V2.2 μ F	C231	183-1063-31	16V10 μ F	CCT807	050-0140-54	1k Ω X4
C106	178-3312-78	330pF	C232	178-1042-78	0.1 μ F	CCT808	050-0140-54	1k Ω X4
C107	178-5612-78	560pF	C233	183-4743-61	50V0.47 μ F	CCT809	050-0140-54	1k Ω X4
C108	176-4701-00	47pF CH	C234	183-4743-61	50V0.47 μ F	CCT810	050-0140-52	100 Ω X4
C109	176-8201-00	82pF CH	C235	183-4743-61	50V0.47 μ F	CCT811	050-0140-52	100 Ω X4
C110	178-2232-78	0.022 μ F	C236	183-4743-61	50V0.47 μ F	CCT812	050-0140-54	1k Ω X4
C111	178-1042-78	0.1 μ F	C237	178-1032-78	0.01 μ F	CCT813	050-0140-54	1k Ω X4
C113	183-4763-11	6.3V47 μ F	C238	178-1032-78	0.01 μ F	CCT814	050-0140-54	1k Ω X4
C114	178-1022-78	1000pF	C239	178-2732-78	0.027 μ F	CCT815	050-0140-52	100 Ω X4
C115	178-2212-78	220pF	C301	183-1053-61	50V1 μ F	CCT816	050-0140-54	1k Ω X4
C116	178-4732-78	0.047 μ F	C302	183-4763-31	16V47 μ F	CCT817	050-0140-54	1k Ω X4
C117	178-2232-78	0.022 μ F	C303	178-1022-78	1000pF	CCT818	050-0140-54	1k Ω X4
C118	178-2232-78	0.022 μ F	C304	178-1022-78	1000pF	CCT819	050-0140-54	1k Ω X4
C121	178-2232-78	0.022 μ F	C305	178-1022-78	1000pF	D2	001-2404-90	MA28T-A
C122	178-1532-78	0.015 μ F	C306	178-1022-78	1000pF	D101	001-0330-00	1SS119
C123	178-8222-78	8200pF	C307	178-4742-78	0.47 μ F	D102	001-0330-00	1SS119
C124	178-1222-78	1200pF	C308	172-1041-11	0.1 μ F	D301	001-0330-00	1SS119
C125	178-1042-78	0.1 μ F	C309	184-3383-32	16V3300 μ F	D501	001-0330-00	1SS119
C126	178-2212-78	220pF	C310	183-2263-11	6.3V22 μ F	D502	001-0330-00	1SS119
C127	178-1032-78	0.01 μ F	C401	176-4701-00	47pF CH	D503	001-0376-46	MTZJ9.1A
C128	178-6822-78	6800pF	C402	176-5601-00	56pF CH	D503	001-0377-45	MA4082H
C129	183-1053-61	50V1 μ F	C403	176-3301-00	33pF CH	D504	001-0330-00	1SS119
C130	178-1532-78	0.015 μ F	C404	176-4701-00	47pF CH	D505	001-0377-32	MA4056M
C131	176-1011-00	100pF CH	C405	176-4701-00	47pF CH	D505	001-0376-32	MTZJ5.6B
C132	178-1532-78	0.015 μ F	C406	042-0416-05	16V15 μ F TAN	D506	001-0421-31	MTZJ18
C133	176-1011-00	100pF CH	C407	178-1032-78	0.01 μ F	D506	001-0423-31	MA4180
C134	176-1011-00	100pF CH	C408	042-0452-02	16V100 μ F	D507	001-0376-46	MTZJ9.1A
C136	183-4763-11	6.3V47 μ F	C409	178-1042-78	0.1 μ F	D507	001-0377-45	MA4082H
C137	176-1501-00	15pF CH	C410	178-1032-78	0.01 μ F	D508	001-0330-00	1SS119
C138	183-2253-62	50V2.2 μ F	C411	176-1511-00	150pF CH	D509	001-0377-46	MA4091L
C139	183-2253-62	50V2.2 μ F	C412	176-1511-00	150pF CH	D509	001-0376-47	MTZJ9.1B
C140	176-1801-00	18pF CH	C413	178-1042-78	0.1 μ F	D510	001-0377-45	MA4082H
C141	178-1042-78	0.1 μ F	C501	178-1042-78	0.1 μ F	D510	001-0376-46	MTZJ9.1A
C142	178-1032-78	0.01 μ F	C502	172-2241-11	0.22 μ F	D512	001-0330-00	1SS119
C143	178-1042-78	0.1 μ F	C503	178-1042-78	0.1 μ F	D513	001-0330-00	1SS119
C144	178-4732-78	0.047 μ F	C504	183-1073-12	6.3V100 μ F	D515	001-0330-00	1SS119
C145	178-1032-78	0.01 μ F	C505	178-1032-78	0.01 μ F	D518	001-0466-00	S5688B
C146	178-1032-78	0.01 μ F	C506	183-3353-61	50V3.3 μ F	D522	001-0330-00	1SS119
C147	176-1011-00	100pF CH	C507	183-1073-12	6.3V100 μ F	D523	001-0330-00	1SS119
C148	178-1222-78	1200pF	C508	172-2241-11	0.22 μ F	D530	001-0466-00	S5688B
C149	178-1222-78	1200pF	C509	042-0452-02	16V100 μ F	D701	001-0330-00	1SS119
C201	178-1032-78	0.01 μ F	C510	178-1032-78	0.01 μ F	D702	001-0330-00	1SS119
C202	178-1032-78	0.01 μ F	C511	178-3922-78	3900pF	D801	001-0330-00	1SS119
C203	183-4753-51	35V4.7 μ F	C512	184-1083-32	16V1000 μ F	D802	001-0330-00	1SS119
C204	183-1053-61	50V1 μ F	C513	183-1073-21	10V100 μ F	IC1	051-3027-90	AD820AR
C205	183-1053-61	50V1 μ F	C514	042-0452-01	10V220 μ F	IC101	051-0350-55	NJM4558M
C206	183-2263-11	6.3V22 μ F	C515	183-1043-63	50V0.1 μ F	IC102	051-1819-00	SAA6579T
C207	183-2263-11	6.3V22 μ F	C516	042-0427-94	16V47 μ F TAN	IC103	051-6201-00	LC72146M
C208	183-1053-61	50V1 μ F	C517	178-1032-78	0.01 μ F	IC201	051-5012-00	LC75386
C209	183-1053-61	50V1 μ F	C519	172-1031-11	0.01 μ F	IC202	051-0350-55	NJM4558M
C210	183-4753-51	35V4.7 μ F	C520	183-1063-51	35V10 μ F	IC301	051-2013-00	TDA7385
C211	042-0505-04	10V33 μ F	C521	183-4763-51	35V47 μ F	IC401	051-6611-08	TSS461CR
C212	178-4732-78	0.047 μ F	C601	042-0505-04	10V33 μ F	IC402	051-6610-18	MTC-30521
C213	178-4732-78	0.047 μ F	C801	178-6832-78	0.068 μ F	IC501	051-1556-05	S-80740AN-D4X
C214	176-4711-00	470pF CH	C802	183-2263-11	6.3V22 μ F	IC502	051-1834-00	LM2936
C215	183-1053-61	50V1 μ F	C803	178-6832-78	0.068 μ F	IC801	052-1156-00	μ PD784216B(C-103-BEU
C216	183-1053-61	50V1 μ F	C804	183-1073-12	6.3V100 μ F	IC802	051-5413-08	S-8052HNM-C1-T1
C217	176-4711-00	470pF CH	C805	176-1501-00	15pF CH	IC803	051-1375-35	NM93C46TEM
C218	183-1063-31	16V10 μ F	C806	176-1501-00	15pF CH	L1	010-8017-00	22mH
C219	183-1063-31	16V10 μ F	C807	178-2242-78	0.22 μ F	L2	010-2230-68	4.7 μ H
C220	183-1063-31	16V10 μ F	C808	178-1032-78	0.01 μ F	L3	010-2003-04	COIL
C221	183-1063-31	16V10 μ F	C809	178-1042-78	0.1 μ F			



REF No.	PART No.	DESCRIPTION	REF No.	PART No.	DESCRIPTION	REF No.	PART No.	DESCRIPTION
L101	010-2230-64	2.2 μ H	R121	117-2221-10	1/10W 2.2k Ω	R522	111-1091-91	1/4WS 1 Ω
L102	010-2046-44	1mH	R122	117-1231-10	1/10W 12k Ω	R523	111-2211-81	1/2WS 220 Ω
L104	010-2230-88	220 μ H	R123	117-4721-10	1/10W 4.7k Ω	R526	111-1521-91	1/4WS 1.5k Ω
L401	010-2230-10	1 μ H	R124	117-2221-10	1/10W 2.2k Ω	R527	117-1021-10	1/10W 1k Ω
L402	010-2230-64	2.2 μ H	R125	117-2711-10	1/10W 270 Ω	R528	117-1031-10	1/10W 10k Ω
P601	074-1186-26	26P	R126	117-1021-10	1/10W 1k Ω	R532	117-4721-10	1/10W 4.7k Ω
P701	076-0540-18	18P	R127	117-1021-10	1/10W 1k Ω	R533	111-1821-91	1/4WS 1.8k Ω
Q1	108-0669-00	2SK669	R128	117-1021-10	1/10W 1k Ω	R534	117-1031-10	1/10W 10k Ω
Q4	102-2712-00	2SC2712	R129	117-1031-10	1/10W 10k Ω	R535	117-1031-10	1/10W 10k Ω
Q5	103-1858-00	2SD1858	R130	117-1531-10	1/10W 15k Ω	R541	111-1001-81	1/2WS 10 Ω
Q101	125-0002-02	RN2402	R131	117-1531-10	1/10W 15k Ω	R543	111-2201-91	1/4WS 22 Ω
Q102	103-1306-00	2SD1306	R132	117-8231-10	1/10W 82k Ω	R544	114-2291-11	1W 2.2 Ω
Q103	125-2004-06	RN1406	R133	117-8231-10	1/10W 82k Ω	R548	117-0000-00	1/10W 0 Ω JW
Q104	125-2004-02	RN1402	R134	117-1031-10	1/10W 10k Ω	R550	117-1031-10	1/10W 10k Ω
Q105	100-1298-00	2SA1298	R135	117-1031-10	1/10W 10k Ω	R551	117-4721-10	1/10W 4.7k Ω
Q106	100-1162-00	2SA1162	R206	117-4731-10	1/10W 47k Ω	R557	117-1021-10	1/10W 1k Ω
Q107	108-0669-00	2SK669	R207	117-4721-10	1/10W 4.7k Ω	R558	117-0000-00	1/10W 0 Ω JW
Q401	102-2712-00	2SC2712	R208	117-6831-10	1/10W 68k Ω	R601	117-1031-10	1/10W 10k Ω
Q402	125-2004-06	RN1406	R209	117-6831-10	1/10W 68k Ω	R602	117-1031-10	1/10W 10k Ω
Q501	102-2712-00	2SC2712	R210	117-4721-10	1/10W 4.7k Ω	R801	117-4731-10	1/10W 47k Ω
Q502	125-0002-02	RN2402	R211	117-1541-10	1/10W 150k Ω	R802	117-1041-10	1/10W 100k Ω
Q503	103-1858-00	2SD1858	R212	117-1021-10	1/10W 1k Ω	R803	117-1041-10	1/10W 100k Ω
Q504	103-1858-00	2SD1858	R213	117-1021-10	1/10W 1k Ω	R804	117-1041-10	1/10W 100k Ω
Q505	125-0002-02	RN2402	R214	117-1021-10	1/10W 1k Ω	R805	117-4721-10	1/10W 4.7k Ω
Q506	125-2004-02	RN1402	R215	117-1021-10	1/10W 1k Ω	R806	117-4721-10	1/10W 4.7k Ω
Q507	100-1162-00	2SA1162	R218	117-5611-10	1/10W 560 Ω	R812	117-1031-10	1/10W 10k Ω
Q508	102-3420-00	2SC3420	R219	117-5611-10	1/10W 560 Ω	R813	117-1031-10	1/10W 10k Ω
Q509	100-1162-00	2SA1162	R220	117-5611-10	1/10W 560 Ω	R815	117-1031-10	1/10W 10k Ω
Q510	125-2004-02	RN1402	R221	117-2231-10	1/10W 22k Ω	R816	117-1031-10	1/10W 10k Ω
Q511	100-1298-00	2SA1298	R222	117-2231-10	1/10W 22k Ω	R817	117-1031-10	1/10W 10k Ω
Q512	125-2004-02	RN1402	R223	117-5611-10	1/10W 560 Ω	R818	117-1031-10	1/10W 10k Ω
Q513	103-1858-00	2SD1858	R224	117-5611-10	1/10W 560 Ω	R819	117-4721-10	1/10W 4.7k Ω
Q514	103-1858-00	2SD1858	R225	117-5611-10	1/10W 560 Ω	R820	117-1031-10	1/10W 10k Ω
Q515	103-1858-00	2SD1858	R226	117-6821-10	1/10W 6.8k Ω	R826	117-2241-10	1/10W 220k Ω
Q516	100-1297-00	2SA1297	R227	117-6821-10	1/10W 6.8k Ω	R827	117-1031-10	1/10W 10k Ω
Q517	125-2004-02	RN1402	R301	117-1031-10	1/10W 10k Ω	R830	117-1021-10	1/10W 1k Ω
Q518	102-2458-00	2SC2458	R303	117-1031-10	1/10W 10k Ω	R831	117-1021-10	1/10W 1k Ω
Q522	125-2004-02	RN1402	R401	117-4731-10	1/10W 47k Ω	R832	117-1021-10	1/10W 1k Ω
Q523	100-1048-00	2SA1048	R403	117-4731-10	1/10W 47k Ω	R833	117-0000-00	1/10W 0 Ω JW
Q524	125-2004-02	RN1402	R404	032-0092-90	1/10W 10k Ω \pm 1%	R834	117-0000-00	1/10W 0 Ω JW
Q526	100-1431-00	2SA1431	R405	111-4321-91	1/4WS 4.3k Ω	R836	117-1021-10	1/10W 1k Ω
Q527	100-1428-00	2SA1428	R406	111-4321-91	1/4WS 4.3k Ω	R839	117-1031-10	1/10W 10k Ω
R1	032-0092-89	1/10W 470 Ω \pm 1%	R407	111-5101-91	1/4WS 51 Ω	R841	117-4721-10	1/10W 4.7k Ω
R2	032-0092-88	1/10W 10 Ω \pm 1%	R408	111-5101-91	1/4WS 51 Ω	R842	117-2241-10	1/10W 220k Ω
R3	032-0092-88	1/10W 10 Ω \pm 1%	R409	060-0108-00	1/6ZP 0 Ω JW	R843	117-1021-10	1/10W 1k Ω
R6	117-3301-10	1/10W 33 Ω	R501	117-2231-10	1/10W 22k Ω	R844	117-1021-10	1/10W 1k Ω
R7	111-2221-91	1/4WS 2.2k Ω	R502	117-4731-10	1/10W 47k Ω	R845	117-1021-10	1/10W 1k Ω
R8	117-0000-00	1/10W 0 Ω JW	R503	032-0092-02	1/10W 220k Ω \pm 1%	R846	117-1021-10	1/10W 1k Ω
R102	117-1231-10	1/10W 12k Ω	R504	117-2221-10	1/10W 2.2k Ω	R847	117-1021-10	1/10W 1k Ω
R103	117-1031-10	1/10W 10k Ω	R505	117-6821-10	1/10W 6.8k Ω	R848	117-1011-10	1/10W 10 Ω JW
R104	117-1821-10	1/10W 1.8k Ω	R506	032-0092-36	1/10W 470k Ω \pm 1%	R852	117-0000-00	1/10W 0 Ω JW
R105	117-1041-10	1/10W 100k Ω	R507	111-1021-91	1/4WS 1k Ω	R853	117-0000-00	1/10W 0 Ω JW
R106	117-1521-10	1/10W 1.5k Ω	R508	111-1091-91	1/4WS 1 Ω	R854	117-0000-00	1/10W 0 Ω JW
R107	117-1521-10	1/10W 1.5k Ω	R509	111-1091-91	1/4WS 1 Ω	R855	117-0000-00	1/10W 0 Ω JW
R108	117-2221-10	1/10W 2.2k Ω	R510	117-2231-10	1/10W 22k Ω	R857	117-0000-00	1/10W 0 Ω JW
R109	117-3921-10	1/10W 3.9k Ω	R511	117-1021-10	1/10W 1k Ω	R858	117-0000-00	1/10W 0 Ω JW
R110	117-3321-10	1/10W 3.3k Ω	R512	111-2211-91	1/4WS 220 Ω	SUP1	060-0122-20	DSP-1411-S00B
R111	117-1041-10	1/10W 100k Ω	R513	117-4741-10	1/10W 470k Ω	TH501	002-0303-00	6.8 Ω
R112	111-3311-91	1/4WS 330 Ω	R514	117-1031-10	1/10W 10k Ω	X100	061-3013-50	4.33MHz
R113	117-2211-10	1/10W 220 Ω	R515	117-1031-10	1/10W 10k Ω	X100	061-3013-00	4.33MHz
R114	117-2221-10	1/10W 2.2k Ω	R516	117-2741-10	1/10W 270k Ω	X101	061-1066-50	7.2MHz
R115	117-1031-10	1/10W 10k Ω	R517	111-1811-81	1/2WS 180 Ω	X101	061-1066-00	7.2MHz
R116	117-1531-10	1/10W 15k Ω	R518	111-1521-91	1/4WS 1.5k Ω	X401	061-3031-00	4.00MHz
R117	117-1031-10	1/10W 10k Ω	R519	117-1031-10	1/10W 10k Ω	X801	061-1081-50	12MHz
R118	117-2221-10	1/10W 2.2k Ω	R520	111-1091-91	1/4WS 1 Ω			
R120	117-1031-10	1/10W 10k Ω	R521	111-1091-91	1/4WS 1 Ω			

Switch PWB section(B2)

REF No.	PART No.	DESCRIPTION	REF No.	PART No.	DESCRIPTION	REF No.	PART No.	DESCRIPTION
J101	074-1211-18	18P	S104	013-3741-11	SKQCAE	S113	013-3741-11	SKQCAE
PL101	017-0345-09	14V40mA	S105	013-3741-11	SKQCAE	S114	013-3741-11	SKQCAE
PL102	017-0454-00	14V40mA	S106	013-3741-11	SKQCAE	S115	013-3741-11	SKQCAE
PL103	017-0454-00	14V40mA	S107	013-3741-11	SKQCAE	S116	013-3741-11	SKQCAE
PL104	017-0454-00	14V40mA	S108	013-3741-11	SKQCAE	S117	013-3741-11	SKQCAE
PL105	017-0345-09	14V40mA	S109	013-3741-11	SKQCAE	S118	013-3741-11	SKQCAE
S101	013-3741-11	SKQCAE	S110	013-3741-11	SKQCAE	VR101	016-0010-12	VR W/SHAFT
S102	013-3741-11	SKQCAE	S111	013-3741-11	SKQCAE			
S103	013-3741-11	SKQCAE	S112	013-3741-11	SKQCAE			

ISO PWB section(B3)

REF No.	PART No.	DESCRIPTION	REF No.	PART No.	DESCRIPTION	REF No.	PART No.	DESCRIPTION
D1	001-0334-30	RL202	J1	074-1159-01	OUTLET SOCKET	P2	076-0324-14	14P
F1	060-0057-06	FUSE 10A	P1	076-0324-10	10P	T2	009-9006-60	0.23mH

CD mech PWB section(CD mechanism)(B4)

REF No.	PART No.	DESCRIPTION	REF No.	PART No.	DESCRIPTION	REF No.	PART No.	DESCRIPTION
C1	183-1073-12	6.3V100 μ F	C34	176-1501-00	15pF CH	Q1	101-1237-50	2SB1237QR
C2	183-4763-11	6.3V47 μ F	C35	176-1501-00	15pF CH	Q2	102-2712-00	2SC2712
C3	178-1042-78	0.1 μ F	C38	178-1022-78	1000pF	R1	117-1011-10	1/10W 100 Ω
C4	176-2201-00	22pF CH	C39	178-1042-78	0.1 μ F	R2	117-1841-10	1/10W 180k Ω
C5	176-1801-00	18pF CH	C40	178-1042-78	0.1 μ F	R3	117-1841-10	1/10W 180k Ω
C6	176-1801-00	18pF CH	C41	183-1073-12	6.3V100 μ F	R4	117-2201-10	1/10W 22 Ω
C7	176-8201-00	82pF CH	C43	183-1073-12	6.3V100 μ F	R5	117-8231-10	1/10W 82k Ω
C8	178-1042-78	0.1 μ F	C44	183-4763-11	6.3V47 μ F	R6	117-1041-10	1/10W 100k Ω
C9	178-2242-78	0.22 μ F	C45	183-1073-12	6.3V100 μ F	R7	117-1041-10	1/10W 100k Ω
C10	178-2242-78	0.22 μ F	C46	178-1032-78	0.01 μ F	R8	117-1031-10	1/10W 10k Ω
C11	176-4701-00	47pF CH	C47	178-1042-78	0.1 μ F	R9	117-2221-10	1/10W 2.2k Ω
C12	178-1532-78	0.015 μ F	C48	178-1032-78	0.01 μ F	R10	117-1031-10	1/10W 10k Ω
C13	178-1032-78	0.01 μ F	C49	176-6801-00	68pF CH	R12	117-1031-10	1/10W 10k Ω
C14	178-2722-78	2700pF	C51	178-1032-78	0.01 μ F	R13	117-4731-10	1/10W 47k Ω
C15	178-4722-78	4700pF	C52	178-1032-78	0.01 μ F	R15	117-4741-10	1/10W 470k Ω
C16	176-1201-00	12pF CH	C54	183-4763-11	6.3V47 μ F	R17	117-3331-10	1/10W 33k Ω
C17	178-4712-78	470pF	C55	178-1042-78	0.1 μ F	R18	117-3311-10	1/10W 330 Ω
C18	178-4712-78	470pF	C56	178-1042-78	0.1 μ F	R19	117-3321-10	1/10W 3.3k Ω
C19	178-4732-78	0.047 μ F	C58	178-1042-78	0.1 μ F	R20	117-1031-10	1/10W 10k Ω
C20	178-4732-78	0.047 μ F	C59	178-2222-78	2200pF	R21	117-3321-10	1/10W 3.3k Ω
C21	178-4732-78	0.047 μ F	D1	001-0563-00	GL380	R22	117-3321-10	1/10W 3.3k Ω
C22	178-4732-78	0.047 μ F	D2	001-0563-00	GL380	R24	117-3321-10	1/10W 3.3k Ω
C23	178-1032-78	0.01 μ F	D3	001-0563-00	GL380	R26	117-1041-10	1/10W 100k Ω
C25	042-0505-01	10V22 μ F	D4	001-0330-00	1SS119	R27	117-4711-10	1/10W 470 Ω
C26	178-1042-78	0.1 μ F	IC1	051-5704-00	TA2096FN	R28	117-2211-10	1/10W 220 Ω
C27	178-1042-78	0.1 μ F	IC2	051-6342-00	TC9462F	R29	117-2211-10	1/10W 220 Ω
C29	178-1042-78	0.1 μ F	IC3	051-6026-08	TA2058F	R30	117-4721-10	1/10W 4.7k Ω
C30	178-1042-78	0.1 μ F	IC4	051-6027-00	BA6283N	R34	111-2711-91	1/4WS 270 Ω
C31	178-1032-78	0.01 μ F	L1	010-2155-03	10 μ H	R40	117-3321-10	1/10W 3.3k Ω
C32	178-1032-78	0.01 μ F	L3	010-2199-74	10 μ H J	X1	061-3051-00	16.92MHz
C33	178-1042-78	0.1 μ F						

Sensor PWB section(CD mechanism)(B5)

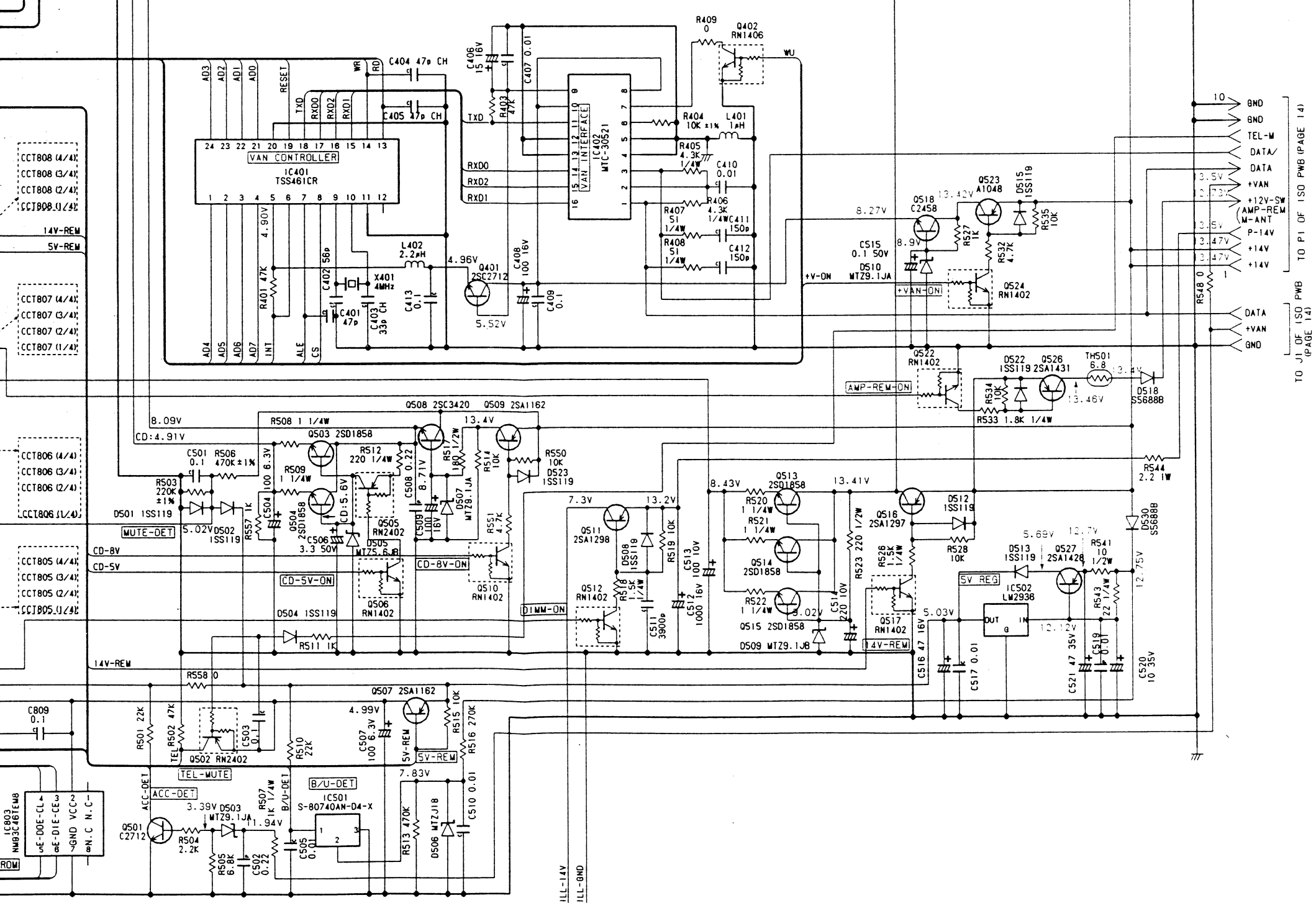
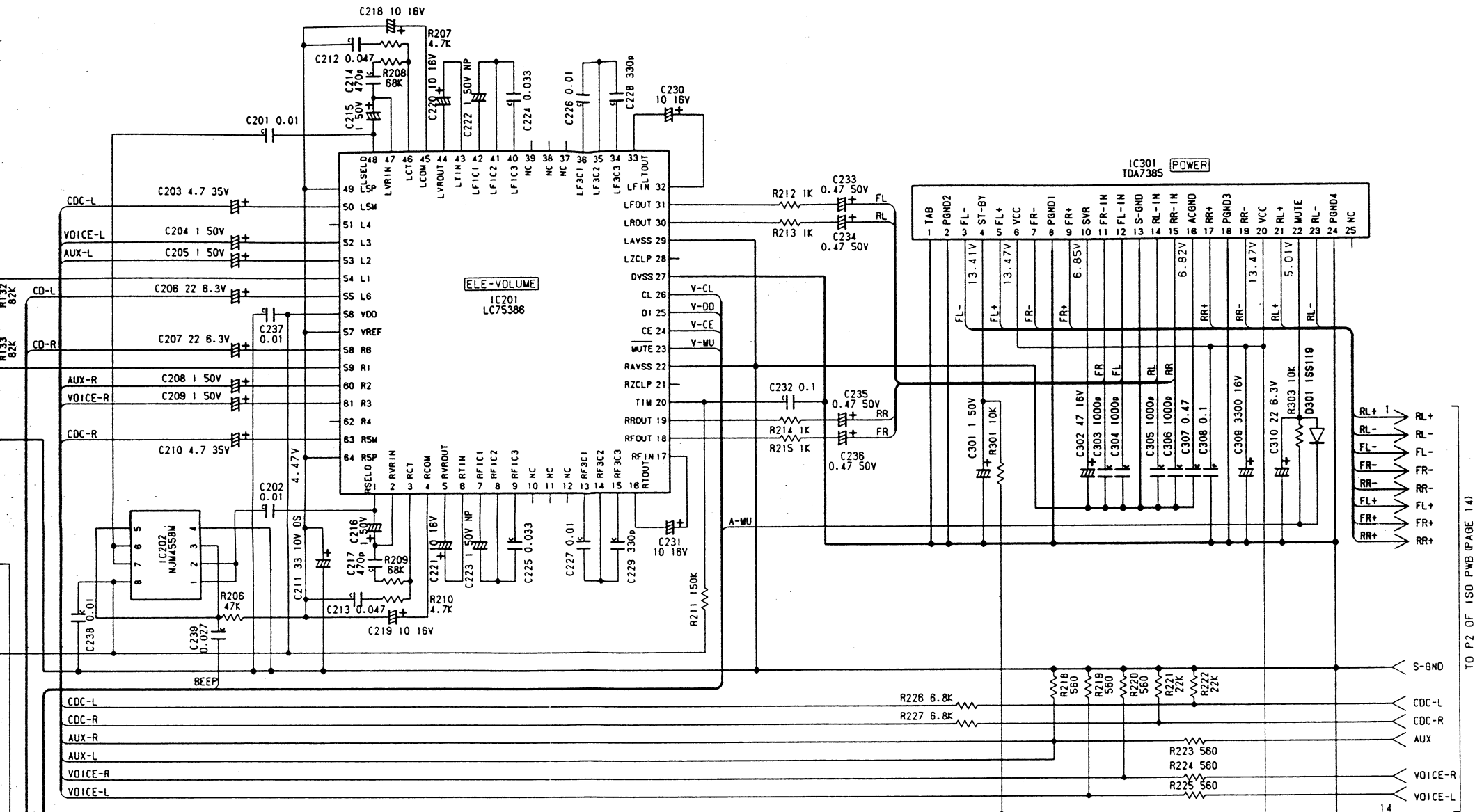
REF No.	PART No.	DESCRIPTION	REF No.	PART No.	DESCRIPTION	REF No.	PART No.	DESCRIPTION
Q101	060-0252-01	PT4850F	Q102	060-0252-01	PT4850F	Q103	060-0252-01	PT4850F

Limit switch PWB section(CD mechanism)(B6)

REF No.	PART No.	DESCRIPTION
S1	013-7100-00	LIMIT

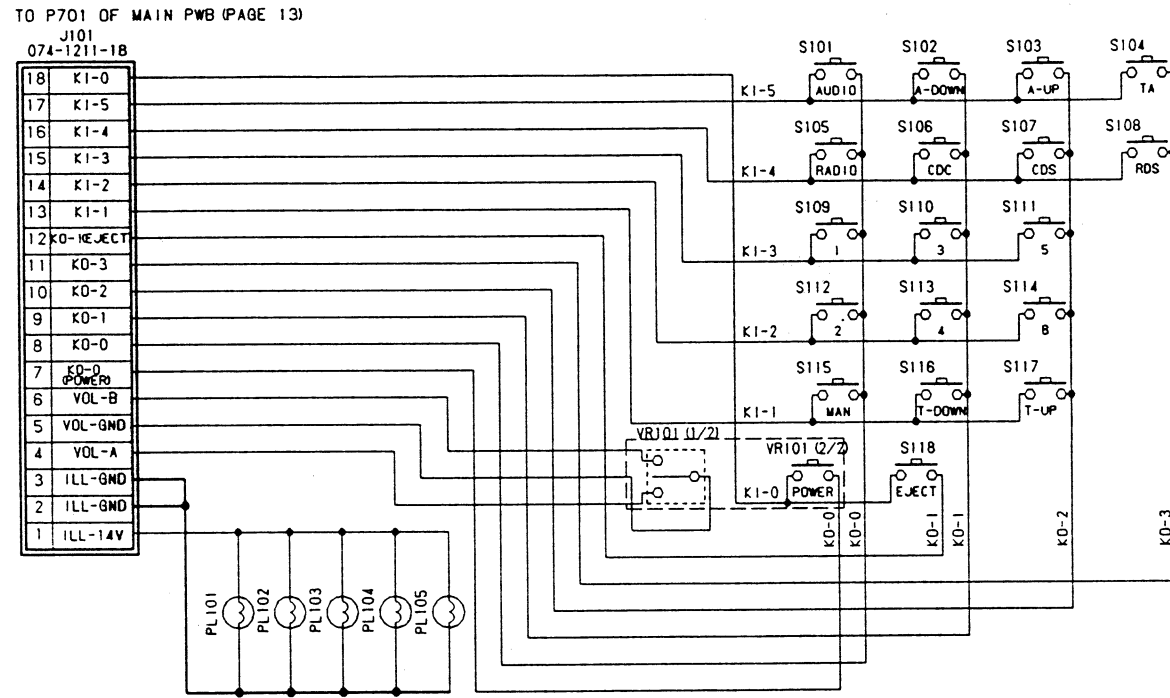
Chuckling switch PWB section(CD mechanism)(B7)

REF No.	PART No.	DESCRIPTION
S2	013-3879-01	CHUCKING

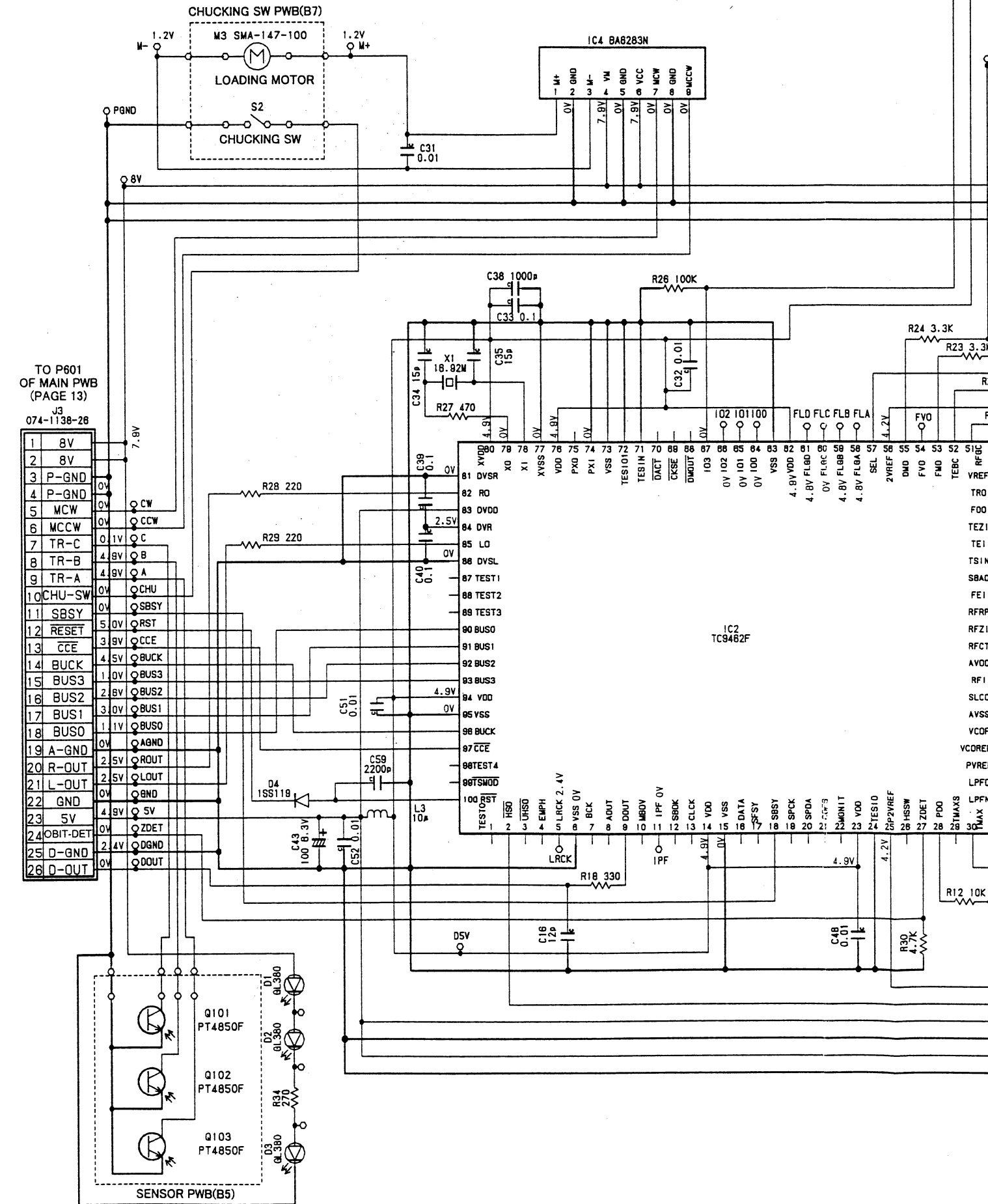


TO P2 OF ISO PWB (PAGE 14)
TO P1 OF ISO PWB (PAGE 14)
(PAGE 14)

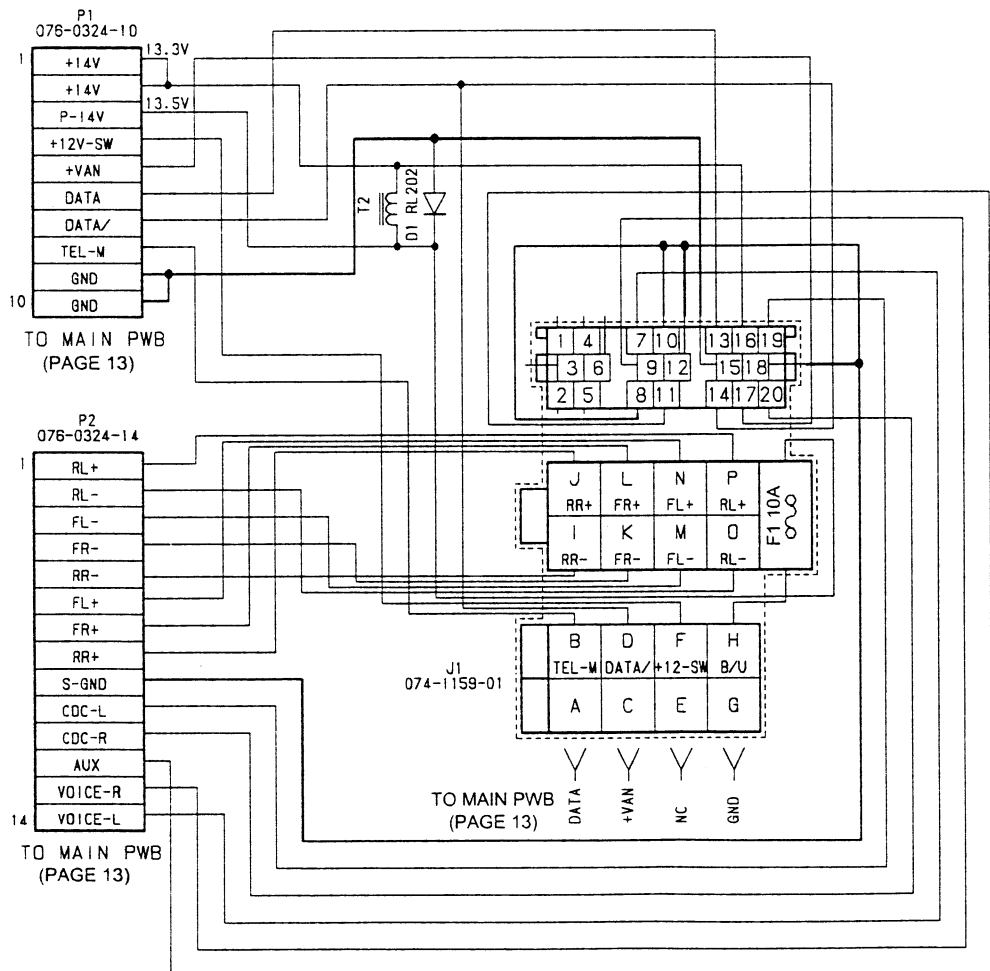
Switch PWB section(B2)



CD mechanism section(B4~7)

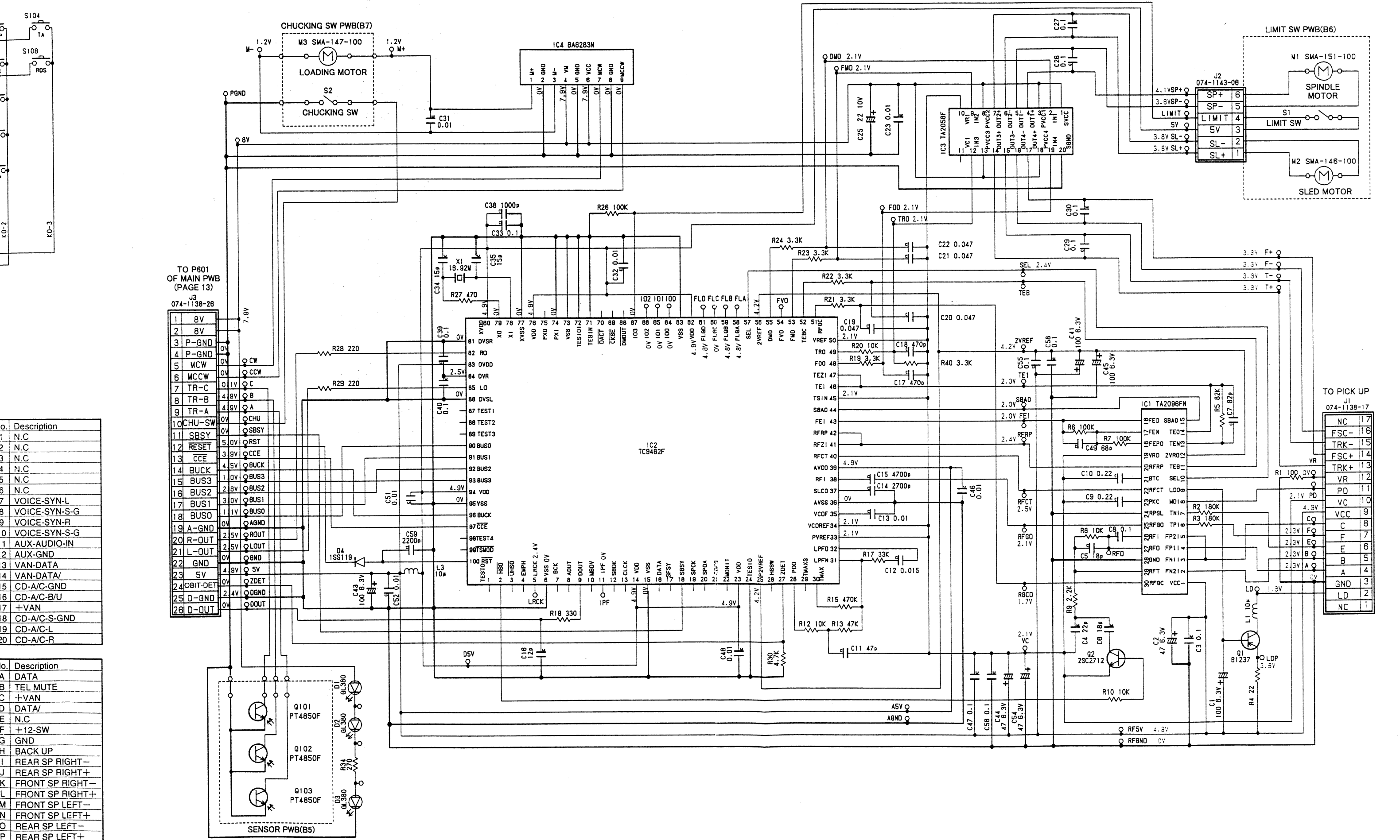


ISO PWB section(B3)



No.	Description
1	N.C
2	N.C
3	N.C
4	N.C
5	N.C
6	N.C
7	VOICE-SYN-L
8	VOICE-SYN-S-G
9	VOICE-SYN-R
10	VOICE-SYN-S-G
11	AUX-AUDIO-IN
12	AUX-GND
13	VAN-DATA
14	VAN-DATA/
15	CD-A/C-GND
16	CD-A/C-B/U
17	+VAN
18	CD-A/C-S-GND
19	CD-A/C-L
20	CD-A/C-R

No.	Description
A	DATA
B	TEL MUTE
C	+VAN
D	DATA/
E	N.C
F	+12-SW
G	GND
H	BACK UP
I	REAR SP RIGHT-
J	REAR SP RIGHT+
K	FRONT SP RIGHT-
L	FRONT SP RIGHT+
M	FRONT SP LEFT-
N	FRONT SP LEFT+
O	REAR SP LEFT-
P	REAR SP LEFT+



TO P601 OF MAIN PWB (PAGE 13)

J3 074-1138-28

1	8V
2	8V
3	P-GND
4	P-GND
5	MCW
6	MCCW
7	TR-C
8	TR-B
9	TR-A
10	CHU-SW
11	SBSY
12	RESET
13	CCE
14	BUCK
15	BUS3
16	BUS2
17	BUS1
18	BUS0
19	A-GND
20	R-OUT
21	L-OUT
22	GND
23	5V
24	OBIT-DET
25	D-GND
26	D-OUT

TO PICK UP J1 074-1138-17

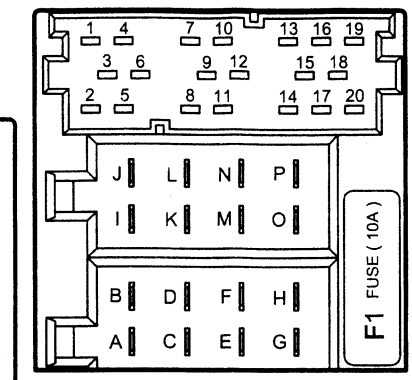
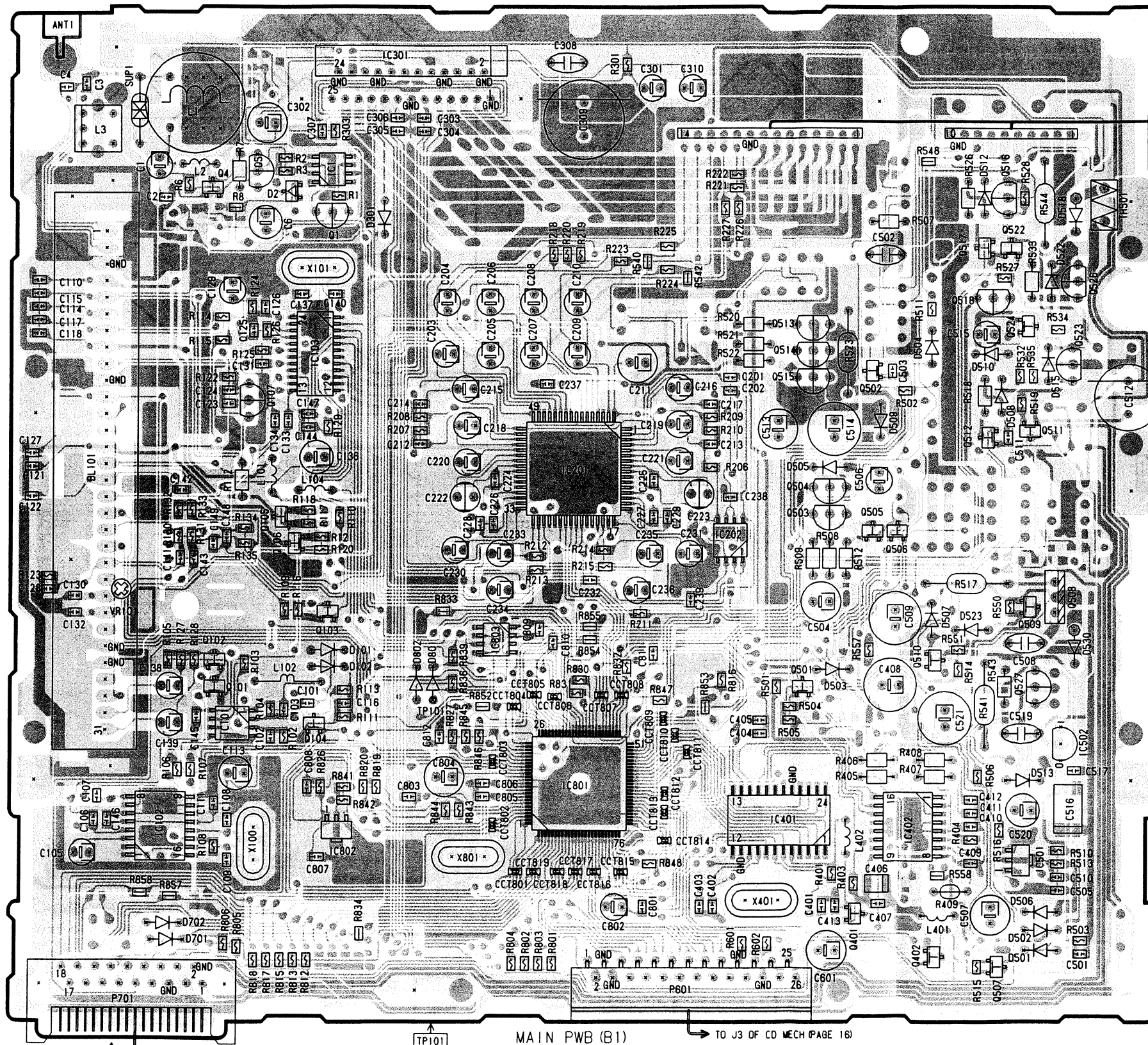
1	NC
2	FSC-
3	TRK-
4	FSC+
5	TRK+
6	VR
7	PD
8	VC
9	VCC
10	C
11	F
12	E
13	B
14	A
15	GND
16	LD
17	NC

0	Description
1	N.C
2	N.C
3	N.C
4	N.C
5	N.C
6	N.C
7	VOICE-SYN-L
8	VOICE-SYN-S-G
9	VOICE-SYN-R
0	VOICE-SYN-S-G
1	AUX-AUDIO-IN
2	AUX-GND
3	VAN-DATA
4	VAN-DATA/
5	CD-A/C-GND
6	CD-A/C-B/U
7	+VAN
8	CD-A/C-S-GND
9	CD-A/C-L
0	CD-A/C-R

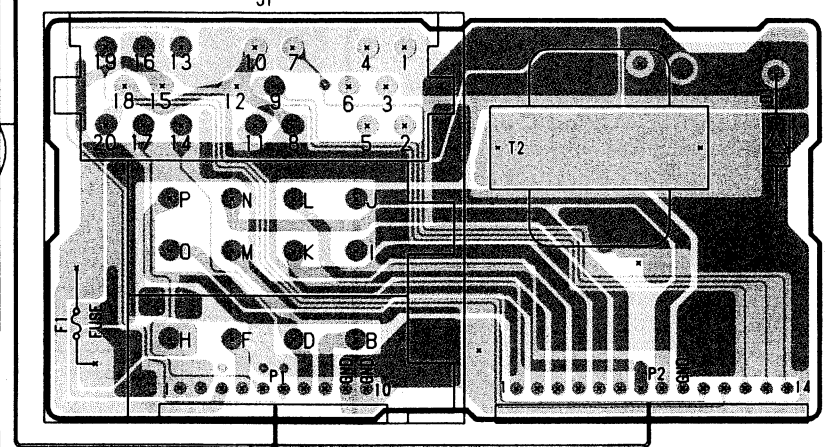
0	Description
A	DATA
B	TEL MUTE
C	+VAN
D	DATA/
E	N.C
F	+12-SW
G	GND
H	BACK UP
I	REAR SP RIGHT-
J	REAR SP RIGHT+
K	FRONT SP RIGHT-
L	FRONT SP RIGHT+
M	FRONT SP LEFT-
N	FRONT SP LEFT+
O	REAR SP LEFT-
P	REAR SP LEFT+

PRINTED WIRING BOARD

Main PWB section(B1) / ISO PWB section(B3)



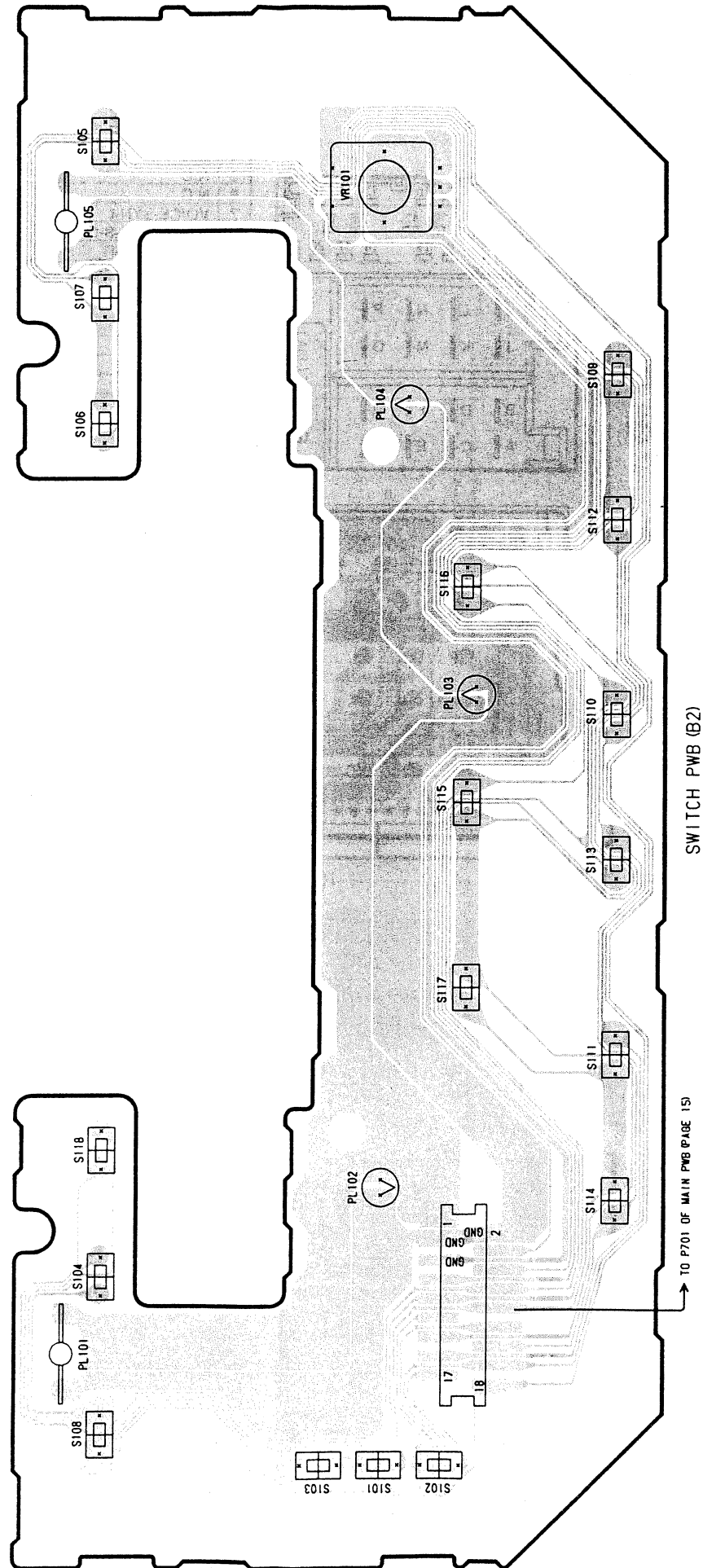
No.	Description	No.	Description
1	N.C	A	DATA
2	N.C	B	TEL MUTE
3	N.C	C	+VAN
4	N.C	D	DATA/
5	N.C	E	N.C
6	N.C	F	+12-SW
7	VOICE-SYN-L	G	GND
8	VOICE-SYN-S-G	H	BACK UP
9	VOICE-SYN-R	I	REAR SP RIGHT-
10	VOICE-SYN-S-G	J	REAR SP RIGHT+
11	AUX-AUDIO-IN	K	FRONT SP RIGHT-
12	AUX-GND	L	FRONT SP RIGHT+
13	VAN-DATA	M	FRONT SP LEFT-
14	VAN-DATA/	N	FRONT SP LEFT+
15	CD-A/C-GND	O	REAR SP LEFT-
16	CD-A/C-B/U	P	REAR SP LEFT+
17	+VAN		
18	CD-A/C-S-GND		
19	CD-A/C-L		
20	CD-A/C-R		



ISO PWB (B3)

IC 1	102	101	103	102	301	803	201	401	402	501	502
Q 1	4	101	5	107	104	1	801	401	502	510	518517
	102	105	106	103				505	506	512	507527509
								514	508	522	511
								515	506	516	523526
										524	508

Switchn PWB section(B2)



CD mechanism section(B4~7)

