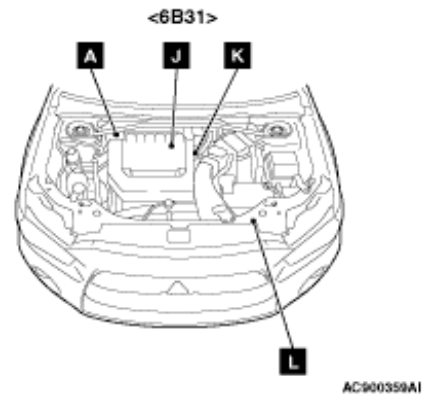
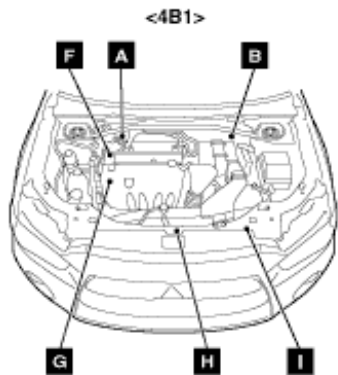
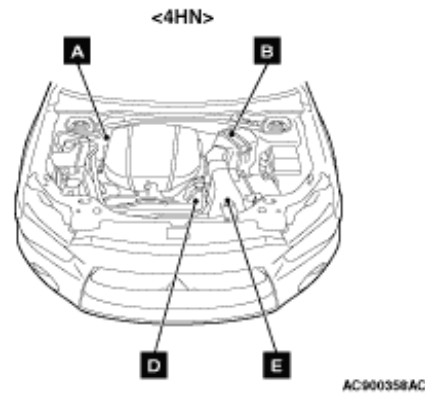
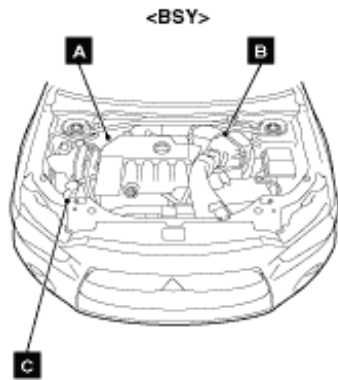
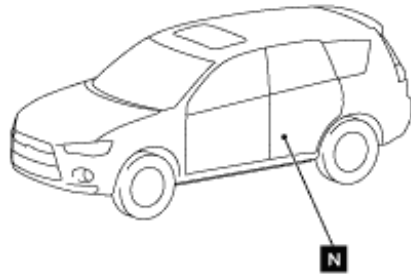
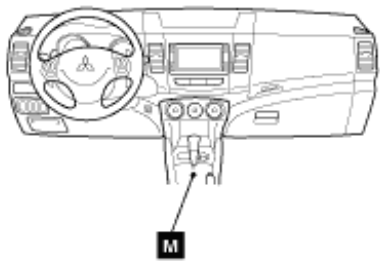


SOLENOID AND SOLENOID VALVE

Name	Symbol	Name	Symbol
A/T control solenoid valve	L	Hydraulic unit (incorporating solenoid valve) <LHD>	A
CVT assembly (incorporating CVT control solenoid valve)	I	Hydraulic unit (incorporating solenoid valve) <RHD>	B
EGR cooler solenoid valve <4HN>	D	Intake oil feeder control valve <4B1>	G
EGR valve <4B1>	H	Purge control solenoid valve <4B1>	H
Electronic control coupling solenoid <4WD>	N	Purge control solenoid valve <6B31>	J
Emission control solenoid assembly <BSY>	C	Shift lever (incorporating solenoid valve) <TC-SST>	M
Engine oil control valve <6B31>	K	Shift lock solenoid <A/T, CVT>	M
Exhaust oil feeder control valve <4B1>	F	Transmission assembly (incorporating solenoid valve) <TC-SST>	E





AC900360AC

