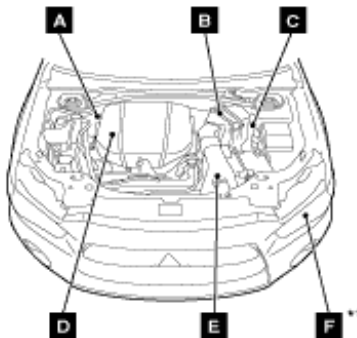
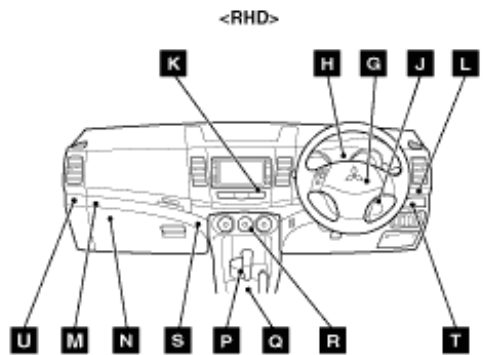
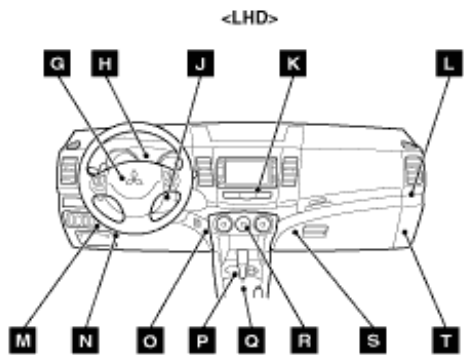


# ECU

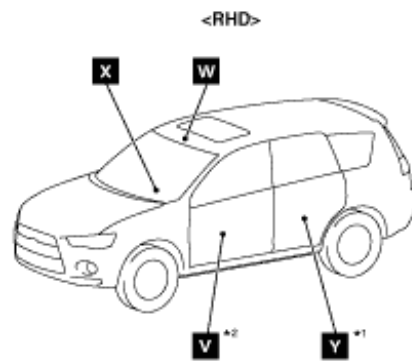
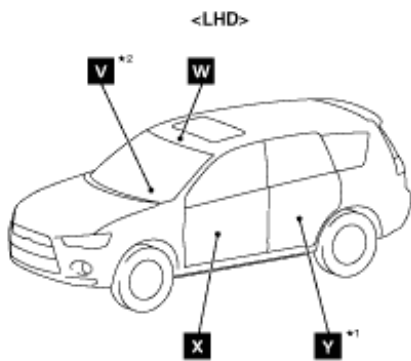
Name	Symbol	Name	Symbol
4WD-ECU	N	Hans free-ECU	R
A/C-ECU	S	Headlamp automatic levelling-ECU	T
A/T-ECU	N	Headlamp control unit <Vehicles with discharge type headlamp>	F
ABS-ECU or ASC-ECU <LHD>	A	KOS-ECU <LHD>	O
ASC-ECU <RHD>	B	KOS-ECU <RHD>	T
CAN box unit <Vehicles with MMCS>	K	Power window main switch (incorporating CPU)	X
Column switch (incorporating column-ECU)	G	Power window sub switch (incorporating CPU)	V
Combination meter (incorporating CPU)	H	Receiver antenna module <Vehicles with KOS>	J
Corner sensor/back sensor-ECU <LHD with reversing sensor system>	O	Shift lever (incorporating CPU) <TC-SST>	Q
Corner sensor/back sensor-ECU <RHD with reversing sensor system>	U	SRS-ECU	P
CVT-ECU	N	Sunroof motor assembly (incorporating CPU)	W
Electric folding second seat motor-ECU	Y	Transmission assembly (incorporating ECU) <TC-SST>	E
Engine-ECU	C	Turbocharger control <4HN>	D
ETACS-ECU	M	USB box	R
Fuel additive-ECU <4HN>	L	Wireless control module <Vehicles without KOS>	J



AC900267AE



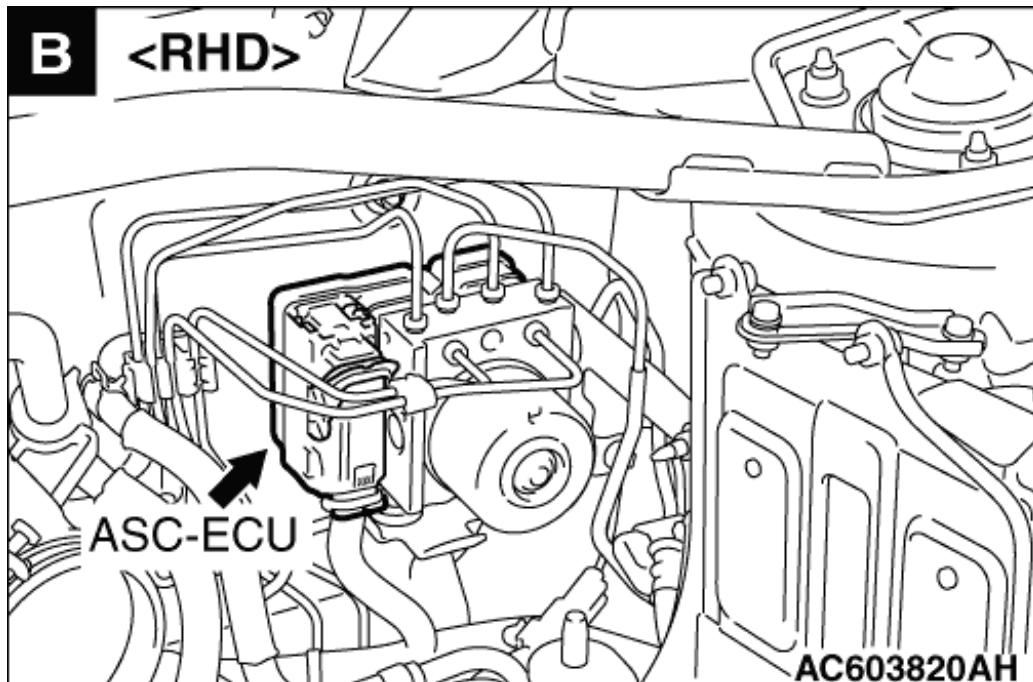
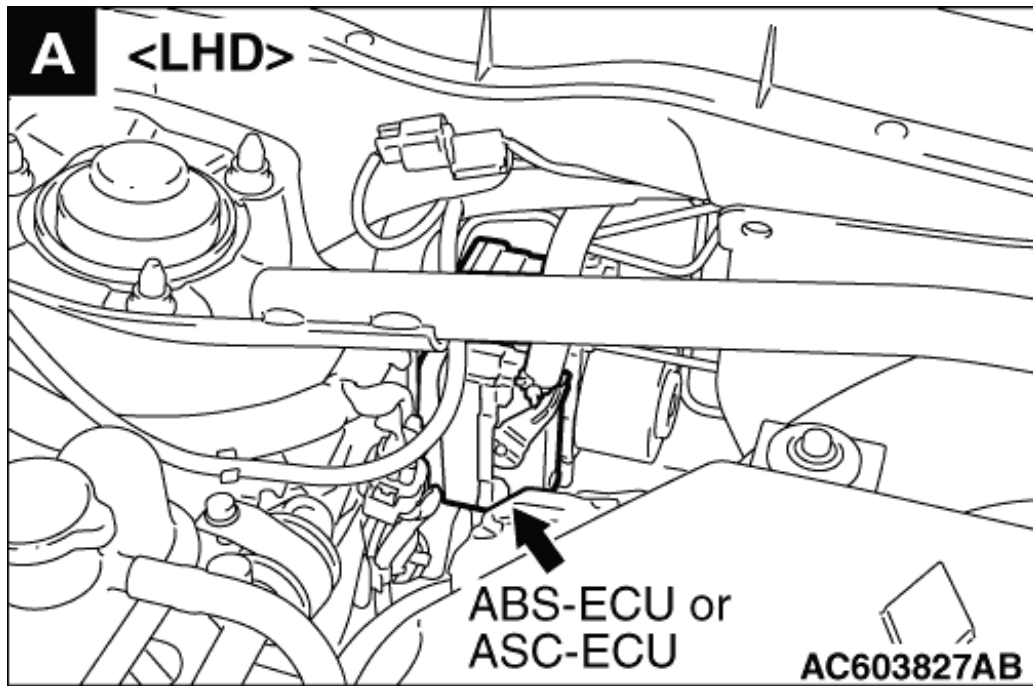
AC602875AZ

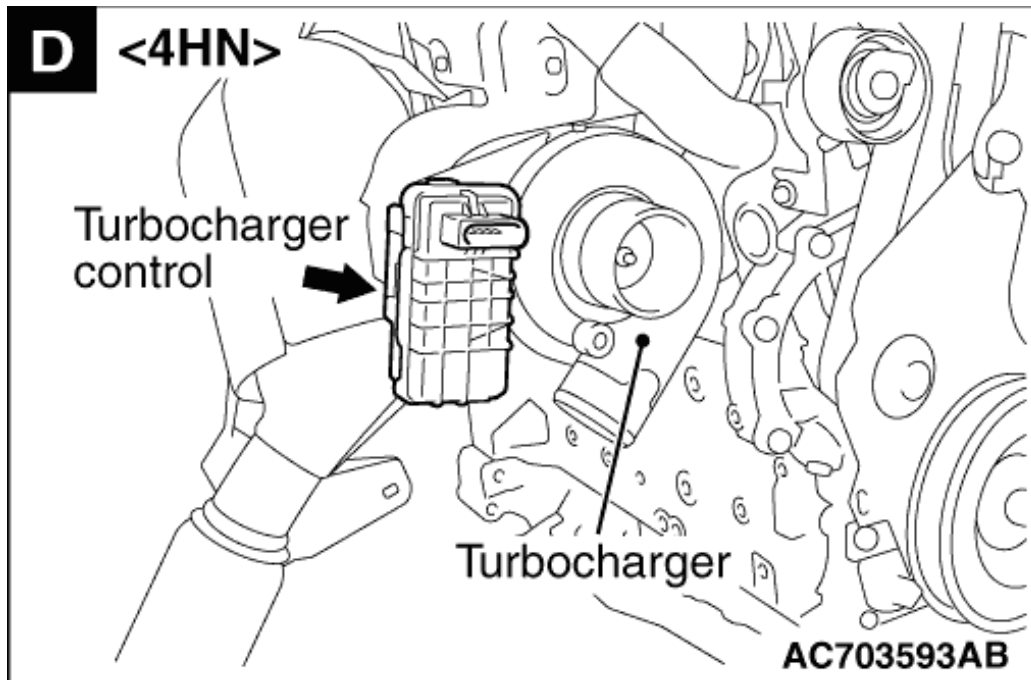
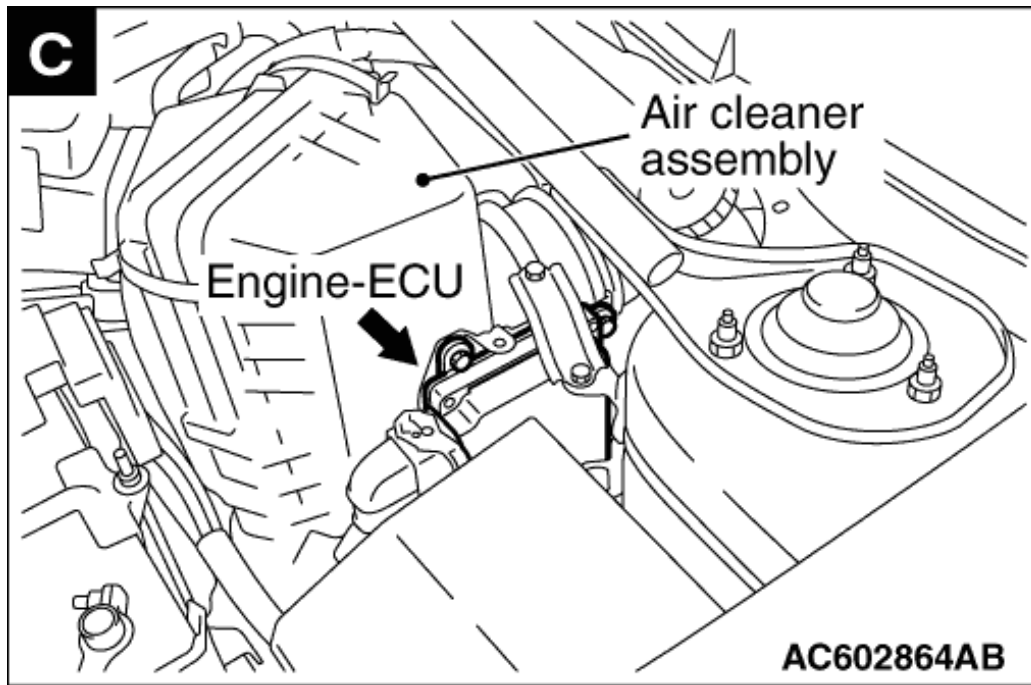


AC900357AC

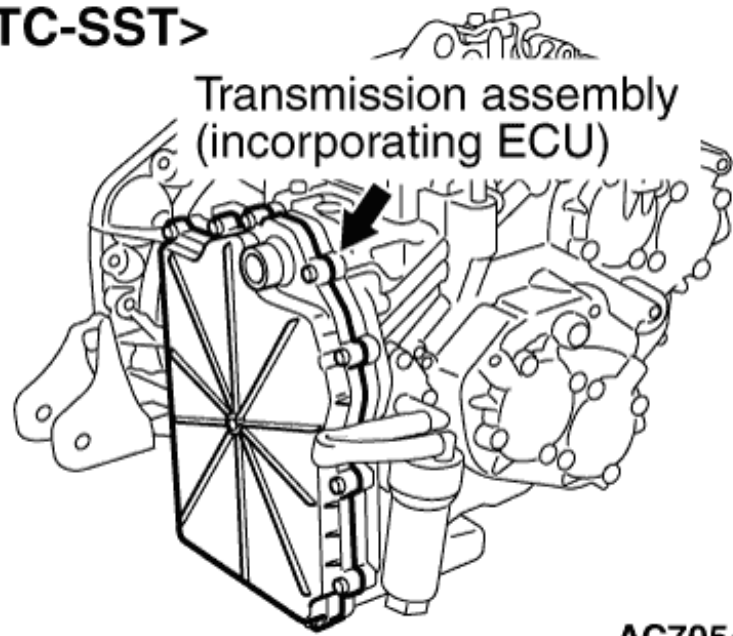
**note**

1. \*1: also equipped at the right side.
2. \*2: also equipped at the rear doors.





**E** <TC-SST>



AC705481AR

**F** <Vehicles with discharge type headlamp>

