

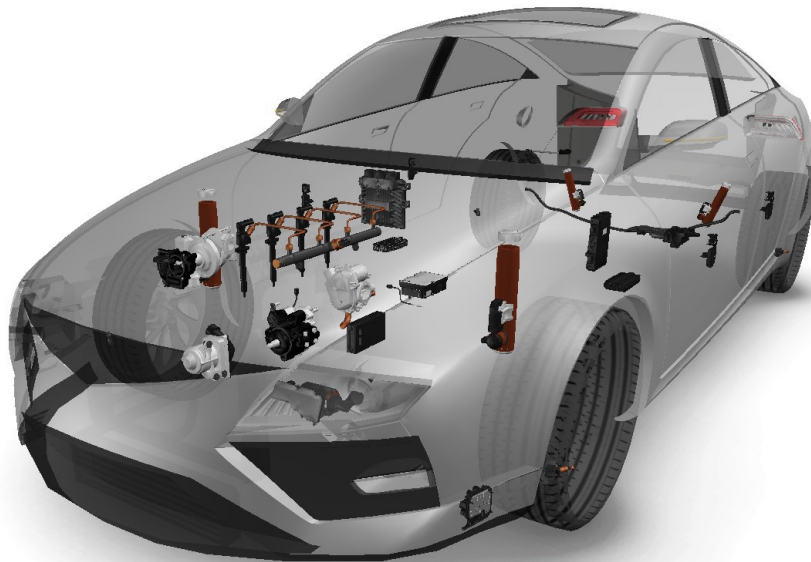


Common Rail Diesel

VDO

Our innovation. Your advantage.

The worldwide first high-pressure diesel injection system with piezo injectors was the forerunner of the current Continental Common Rail Diesel System. Common Rail Diesel Injection Systems consist of the following main components: a high-pressure pump, piezo injectors, rail, lines and engine control unit. The high-pressure pump continually delivers diesel fuel into the rail under pressure; the rail supplies fuel to the piezo injectors through the lines. The engine units controls the piezo injectors to ensure that the right amount of diesel fuel is injected into the cylinders at the right point in time.



VDO

Content

| | |
|-------------------------|-----------|
| Content | 1 |
| Overview | 3 |
| Overview | 4 |
| PCR 2.0 DV4TD | 5 |
| Manufacturer | 5 |
| Spare Parts | 5 |
| Cross Reference | 6 |
| PCR 2.0 DW10TD | 8 |
| Manufacturer | 8 |
| Notice | 8 |
| Spare Parts | 8 |
| Cross Reference | 9 |
| PCR 2.3 DW10BTED | 10 |
| Manufacturer | 10 |
| Notice | 10 |
| Spare Parts | 11 |
| Cross Reference | 11 |
| PCR 2.3 K9K | 14 |
| Manufacturer | 14 |
| Notice | 14 |
| Spare Parts | 14 |
| Cross Reference | 15 |
| K9K - Euro 5 | 16 |
| Manufacturer | 16 |
| Spare Parts | 16 |
| Cross Reference | 16 |
| PCR 2.3 Lynx | 18 |
| Manufacturer | 18 |
| Notice | 18 |
| Spare Parts | 18 |
| Cross Reference | 19 |
| LionV6 Upgrade | 20 |
| Manufacturer | 20 |
| Notice | 20 |
| Spare Parts | 20 |
| Cross Reference | 21 |
| LionV8 | 22 |
| Manufacturer | 22 |
| Notice | 22 |
| Spare Parts | 22 |

| | |
|-------------------------------|-----------|
| Cross Reference | 23 |
| PCR 2.1 VW Common Rail | 24 |
| Manufacturer | 24 |
| Notice | 25 |
| Spare Parts | 25 |
| Cross Reference | 25 |
| DV 6C TED4 | 26 |
| Manufacturer | 26 |
| Notice | 27 |
| Spare Parts | 27 |
| Cross Reference | 27 |
| PCR 2.3 LionV6 | 29 |
| Manufacturer | 29 |
| Notice | 29 |
| Spare Parts | 29 |
| Cross Reference | 30 |
| Cross Reference | 32 |
| Ford | 32 |
| Jaguar | 34 |
| Landrover | 34 |
| PSA | 35 |
| Renault | 38 |
| Volvo | 38 |
| VW | 38 |
| Continental | 39 |
| Notes | 41 |

Overview

| Category | DW10TD | DV4 | DW10B | Lynx | VWCR | DV6 |
|------------|---|--|--|--|---|---|
| CR-Pump | 5WS40018-Z CR-Pump DW10TD | 5WS40008-Z CR-Pump DV4 | 5WS40019-Z CR-Pump DW10B => replaced by 5WS40809-Z 5WS40163-Z CR-Pump DW10B (VOLVO) A2C59511600 CR-Pump DW10B (VOLVO NEW) 5WS40809-Z CR-Pump DW10B | A2C59511609 CR-Pump LYNX | | A2C59513555 CR Pump DV6 A2C59513829 CR Pump DV6 (Ford) A2C59513830 CR Pump DV6 (StartStop) |
| Injector | 5WS40000-Z Injector DW10TD => not available anymore | 5WS40148-Z Injector EURO 3 DV4 5WS40149-Z Injector EU4 DV4 => replaced by A2C59511612 A2C59511612 Injector DV4 (Kyocera) | 5WS40156-4Z Injector DW10B CLASS 4 5WS40156-Z Injector DW10B CLASS 5 A2C59511601 Injector DW10B CLASS 6 A2C59511602 Injector DW10U MFMA A2C59511603 Injector DW10B MFMA A2C59513552 Injector DW10B MFMA CL7 | A2C59511610 Injector LYNX A2C59511611 Injector LYNX_V227 | A2C59513554 Injektor VW CR | A2C59513556 CR Injector DV6C |
| Misc | X11-800-001-001Z Leckage Clip DW10TD, DV4 X11-800-002-001Z Copper Ring (2.5mm) | X11-800-001-001Z Leckage Clip DW10TD, DV4 X11-800-002-004Z Copper Ring (2,5mm 6- Nose) | X11-800-001-003Z Leckage Clip DW10B X11-800-002-002Z Copper Ring (1.5mm) | X11-800-001-003Z Leckage Clip DW10B X11-800-002-003Z Copper Ring (2.0mm) | X11-800-001-002Z Leckage Clip X11-800-002-004Z Copper Ring (2,5mm 6-Nose) | A2C59514036 Copper Ring DV6 A2C59514037 O-ring gasket (return line) |
| Pipe | 5WS40003-Z Pipe Pump DW10TD (ONLY FOR P+P RAIL) 5WS40004-Z Pipe CYL 1+3 DW10TD (ONLY FOR P+P RAIL) 5WS40005-Z Pipe CYL 2+4 DW10TD (ONLY FOR P+P RAIL) | | 5WS40040-Z Pipe Pump DW10B 5WS40042-Z Pipe CYL 1+3 DW10B 5WS40043-Z Pipe CYL 2+4 DW10B | | | |
| RepairPart | X39-800-300-005Z Pressure Control Valve (PCV) X39-800-300-006Z Volume Control Valve (VCV) Screwed | X39-800-300-005Z Pressure Control Valve (PCV) X39-800-300-006Z Volume Control Valve (VCV) Screwed | X39-800-300-005Z Pressure Control Valve (PCV) X39-800-300-018Z Volume Control Valve (VCV) flanged | X39-800-300-005Z Pressure Control Valve (PCV) X39-800-300-006Z Volume Control Valve (VCV) Screwed | | |

Overview

| Category | K9KEU4 | K9KEU5 | LionV6Base | LionV6 Jpgrade | LionV8 |
|------------|--|---|--|---|---|
| CR-Pump | A2C59511605 CR-Pump K9K | A2C59513595 CR Pump K9K EU5 | A2C59511314 CR-Pump LION V6/DT17 | A2C59513482 CR Pump LionV6 upgrade | A2C59513481 CR Pump LionV8 |
| Injector | A2C59511606 Injector K9K | A2C59513484 Injector K9K EU5 | A2C59511315 Injector LION V6 JAGUAR EURO 3 A2C59511316 Injector LION V6/DT17 EURO 4 A2C59511364 Injector LION V6 LAND ROVER | A2C59513553 Injector LION V6 UPGRADE | A2C59513596 Injector LionV8 (white clip) A2C59513597 Injector LionV8 (174, red clip) |
| Misc | X11-800-001-002Z Leckage Clip | | X11-800-001-002Z Leckage Clip X11-800-002-002Z Copper Ring (1.5mm) A2C59511320 Injector Clamp Lion | X11-800-001-002Z Leckage Clip X11-800-002-002Z Copper Ring (1.5mm) A2C59511320 Injector Clamp Lion | X11-800-001-002Z Leckage Clip X11-800-002-002Z Copper Ring (1.5mm) A2C59511320 Injector Clamp Lion |
| Rail | A2C59511607 Rail With Sensor K9K | A2C59513750 Rail K9K EU5 (with sensor) | A2C59511317 Diverter Rail LION V6/DT17 A2C59511318 Rail LEFT LION V6/DT17 A2C59511319 Rail RIGHT LION V6/DT17 | A2C59513702 Rail RH LionV6 Upgrade A2C59513703 Rail LH (with sensor) LionV6 Upgrade | A2C59513512 Rail RH With Sensor LionV8 A2C59513699 Rail LH LionV8 |
| RepairPart | X39-800-300-005Z Pressure Control Valve (PCV) A2C53259841Z Volume Control Valve (VCV) K9K | | X39-800-300-005Z Pressure Control Valve (PCV) A2C20000719Z Volume Control Valve (VCV) LionV6 | | |

PCR 2.0 DV4TD



Manufacturer

1.4l | 50kW | Euro 3 / Euro 4

Citroën C1
 Citroën Berlingo
 Ford Fusion
 Peugeot 1007
 Citroën Xsara

Citroën C2
 Citroën Partner
 Peugeot 107
 Mazda 2
 Peugeot 206

Citroën C3
 Ford Fiesta
 Peugeot 307
 Toyota Aygo
 Peugeot 206

Spare Parts

Category Part_Number Description

| | | |
|------------|------------------|---|
| CR-Pump | 5WS40008-Z | CR-Pump DV4 |
| Injector | A2C59511612 | Injector DV4 (Kyocera) |
| Injector | 5WS40149-Z | Injector EU4 DV4 => replaced by A2C59511612 |
| Injector | 5WS40148-Z | Injector EURO 3 DV4 |
| Misc | X11-800-001-001Z | Leckage Clip DW10TD, DV4 |
| Misc | X11-800-002-004Z | Copper Ring (2,5mm 6-Nose) |
| RepairPart | X39-800-300-005Z | Pressure Control Valve (PCV) |
| RepairPart | X39-800-300-006Z | Volume Control Valve (VCV) Screwed |

Cross Reference

| Manufacturer | OE_Partnumber | Description | Ordernumber | Remarks |
|--------------|------------------------|---|------------------|--|
| Continental | A2C20000727 / 5WS40008 | CR-Pump DV4 | 5WS40008-Z | |
| Ford | 1346476 | Injector EURO 3 DV4 | 5WS40148-Z | |
| Ford | 1348623 | Injector EURO 3 DV4 | 5WS40148-Z | |
| Ford | 1348625 | Copper Ring (2.5mm) | X11-800-002-001Z | |
| Ford | 1404786 | CR-Pump DV4 | 5WS40008-Z | |
| Ford | 1469709 | Injector EU4 DV4 => replaced by A2C59511612 | 5WS40149-Z | replaced by A2C59511612 |
| Ford | 1488987 | CR-Pump DV4 | 5WS40008-Z | |
| Ford | 1497896 | CR-Pump DV4 | 5WS40008-Z | |
| Ford | 1497896 | CR-Pump DV4 | 5WS40008-Z | |
| Ford | 2S6Q9A543AC | CR-Pump DV4 | 5WS40008-Z | |
| Ford | 2S6Q9A543AD | CR-Pump DV4 | 5WS40008-Z | |
| Ford | 2S6Q9A543AF | CR-Pump DV4 | 5WS40008-Z | |
| Ford | 2S6Q9E568AB | Copper Ring (2.5mm) | X11-800-002-001Z | |
| Ford | 2S6Q9F593AA | Injector | Injector | see 9649574480 |
| Ford | 2S6Q9F593AB | Injector EURO 3 DV4 | 5WS40148-Z | |
| Ford | 2S6Q9F593AC | Injector EURO 3 DV4 | 5WS40148-Z | |
| Ford | 2S6Q9F593BC | Injector EU4 DV4 => replaced by A2C59511612 | 5WS40149-Z | replaced by A2C59511612 |
| Ford | 2S6Q9F593BD | Injector DV4 (Kyocera) | A2C59511612 | |
| Ford | 2S6Q9G719AA | Leakage Clip DW10TD, DV4 | X11-800-001-001Z | |
| Mazda | Y401 13800C | CR-Pump DV4 | 5WS40008-Z | |
| Mazda | Y404 13250A | Injector DV4 (Kyocera) | A2C59511612 | |
| PSA | 1920EP | CR-Pump DV4 | 5WS40008-Z | |
| PSA | 198090 | Injector | Injector | replaced by 5WS40148-Z |
| PSA | 1980E6 | Injector | Injector | replaced by 5WS40149-Z or 5WS40516/A2C59511612 |
| PSA | 1980E7 | Injector EURO 3 DV4 | 5WS40148-Z | |
| PSA | 1980J1 | Injector EU4 DV4 => replaced by A2C59511612 | 5WS40149-Z | replaced by A2C59511612 |
| PSA | 1980L0 | Injector DW10B MFMA | A2C59511603 | 5WS40516 |
| PSA | 198165 | Copper Ring (2.5mm) | X11-800-002-001Z | |
| PSA | 198169 | | A2C59511488 | |
| PSA | 1982C4 | Leakage Clip DW10TD, DV4 | X11-800-001-001Z | |
| PSA | 9401982C48 | Leakage Clip DW10TD, DV4 | X11-800-001-001Z | |
| PSA | 9641852080 | CR-Pump DV4 | 5WS40008-Z | |
| PSA | 9645988580 | Injector | Injector | replaced by 5WS40148-Z |
| PSA | 9649574480 | Injector | Injector | replaced by 5WS40148-Z |
| PSA | 9651590880 | CR-Pump DV4 | 5WS40008-Z | |
| PSA | 9652707180 | Injector | Injector | replaced by 5WS40149-Z or 5WS40516/A2C59511612 |
| PSA | 9652763180 | Injector | Injector | see 9649574480 |
| PSA | 9652763280 | Injector | Injector | replaced by 5WS40148-Z |
| PSA | 9654550980 | Injector EU4 DV4 => replaced by A2C59511612 | 5WS40149-Z | replaced by A2C59511612 |
| PSA | 9654551080 | Injector EU4 DV4 => | 5WS40149-Z | replaced by A2C59511612 |

| Manufacturer | OE_Partnumber | Description | Ordernumber | Remarks |
|--------------|---------------|-------------------------|-------------|----------------|
| | | replaced by A2C59511612 | | |
| PSA | 9655304780 | Injector EURO 3 DV4 | 5WS40148-Z | |
| PSA | 9655304880 | Injector EURO 3 DV4 | 5WS40148-Z | |
| PSA | 9658176080 | CR-Pump DV4 | 5WS40008-Z | |
| PSA | 9663429280 | Injector DV4 (Kyocera) | A2C59511612 | 5WS40516 |
| PSA | 9677247280 | Injector | Injector | see 9649574480 |
| PSA | 9683528780 | CR-Pump DV4 | 5WS40008-Z | |
| PSA | 9685440880 | CR-Pump DV4 | 5WS40008-Z | |
| PSA | 9715135480 | Injector | Injector | see 9652707180 |

PCR 2.0 DW10TD



Manufacturer

2.0l | 64kW | 2-valve engine

Citroën C5
Peugeot 206
Peugeot 407

Citroën Berlingo
Peugeot 307
Peugeot Partner

Citroën Xsara
Peugeot 406 (Facelift)
Suzuki Vitara

Notice

Please note that the DW10TD injector is not available anymore.
Please note that we cannot offer you any Rails for this system.

Spare Parts

Category Part_Number Description

| Category | Part_Number | Description |
|----------|------------------|--|
| CR-Pump | 5WS40018-Z | CR-Pump DW10TD |
| Injector | 5WS40000-Z | Injector DW10TD => not available anymore |
| Misc | X11-800-002-001Z | Copper Ring (2.5mm) |
| Misc | X11-800-001-001Z | Leckage Clip DW10TD, DV4 |
| Pipe | 5WS40004-Z | Pipe CYL 1+3 DW10TD (ONLY FOR P+P RAIL) |
| Pipe | 5WS40005-Z | Pipe CYL 2+4 DW10TD (ONLY FOR P+P RAIL) |

Category Part_Number Description

| | | |
|------------|------------------|--------------------------------------|
| Pipe | 5WS40003-Z | Pipe Pump DW10TD (ONLY FOR P+P RAIL) |
| RepairPart | X39-800-300-006Z | Volume Control Valve (VCV) Screwed |
| RepairPart | X39-800-300-005Z | Pressure Control Valve (PCV) |

Cross Reference

| Manufacturer | Partnumber | Description | Ordernumber | Remarks |
|--------------|------------------------|--|------------------|--|
| Continental | A2C20000502 / 5WS40018 | CR-Pump DW10TD | 5WS40018-Z | |
| Ford | 4M5Q9F524AA | Leckage Clip DW10B | X11-800-001-003Z | |
| PSA | 1570A9 | | | only for welded rails until 11/2004 |
| PSA | 1570C1 | Pipe CYL 1+3 DW10TD (ONLY FOR P+P RAIL) | 5WS40004-Z | only for welded rails until 11/2004 |
| PSA | 1570C2 | Pipe CYL 2+4 DW10TD (ONLY FOR P+P RAIL) | 5WS40005-Z | only for welded rails until 11/2004 |
| PSA | 1920CG | CR-Pump DW10TD | 5WS40018-Z | |
| PSA | 1980F0 | Injector DW10TD => not available anymore | 5WS40000-Z | not available anymore |
| PSA | 198165 | Copper Ring (2.5mm) | X11-800-002-001Z | |
| PSA | 1982C4 | Leckage Clip DW10TD, DV4 | X11-800-001-001Z | |
| PSA | 9636673880 | CR-Pump DW10TD | 5WS40018-Z | |
| PSA | 9636675780 | Pipe CYL 2+4 DW10TD (ONLY FOR P+P RAIL) | 5WS40005-Z | only for welded rails until 11/2004 |
| PSA | 9636680280 | Injector DW10TD => not available anymore | 5WS40000-Z | not available anymore |
| PSA | 9636818480 | CR-Pump DW10TD | 5WS40018-Z | |
| PSA | 9636819380 | Injector DW10TD => not available anymore | 5WS40000-Z | not available anymore |
| PSA | 9640387980 | Rail | Rail | replaced with Bosch forged rail in 11/2004 |
| PSA | 9652173680 | Injector DW10TD => not available anymore | 5WS40000-Z | not available anymore |
| PSA | 9652173780 | Injector DW10TD => not available anymore | 5WS40000-Z | not available anymore |
| PSA | 9652175380 | CR-Pump DW10TD | 5WS40018-Z | |
| PSA | 9652175480 | CR-Pump DW10TD | 5WS40018-Z | |
| PSA | 9653276480 | Copper Ring (2.5mm) | X11-800-002-001Z | |
| PSA | 9658195080 | CR-Pump DW10TD | 5WS40018-Z | |

PCR 2.3 DW10BTED



Manufacturer

2.0l | 100kW | 4-valve engine

Citroën C4
 Citroën Picasso
 Ford Kuga
 Peugeot 207
 Peugeot 407
 Volvo C30
 Peugeot 308

Citroën C5
 Ford C-Max
 Ford Mondeo
 Peugeot 3008
 Peugeot 607
 Volvo S40
 Peugeot Expert

Citroën C8
 Ford Galaxy
 Ford S-Max
 Peugeot 307
 Peugeot 807
 Volvo V50
 Citroën Dispatch

Notice

Please note that injector is available in different classifications. A faulty injector needs to be replaced by an injector with the same classification!

Please note that we cannot offer you any Rails for this system.

5WS40019-Z replaced by 5WS40809-Z

Spare Parts

Category Part_Number Description

| | | |
|------------|------------------|---|
| CR-Pump | 5WS40163-Z | CR-Pump DW10B (VOLVO) |
| CR-Pump | 5WS40809-Z | CR-Pump DW10B |
| CR-Pump | A2C59511600 | CR-Pump DW10B (VOLVO NEW) |
| CR-Pump | 5WS40019-Z | CR-Pump DW10B => replaced by 5WS40809-Z |
| Injector | A2C59511603 | Injector DW10B MFMA |
| Injector | A2C59511602 | Injector DW10U MFMA |
| Injector | A2C59511601 | Injector DW10B CLASS 6 |
| Injector | 5WS40156-Z | Injector DW10B CLASS 5 |
| Injector | 5WS40156-4Z | Injector DW10B CLASS 4 |
| Injector | A2C59513552 | Injector DW10B MFMA CL7 |
| Misc | X11-800-002-002Z | Copper Ring (1.5mm) |
| Misc | X11-800-001-003Z | Leckage Clip DW10B |
| Pipe | 5WS40042-Z | Pipe CYL 1+3 DW10B |
| Pipe | 5WS40043-Z | Pipe CYL 2+4 DW10B |
| Pipe | 5WS40040-Z | Pipe Pump DW10B |
| RepairPart | X39-800-300-005Z | Pressure Control Valve (PCV) |
| RepairPart | X39-800-300-018Z | Volume Control Valve (VCV) flanged |

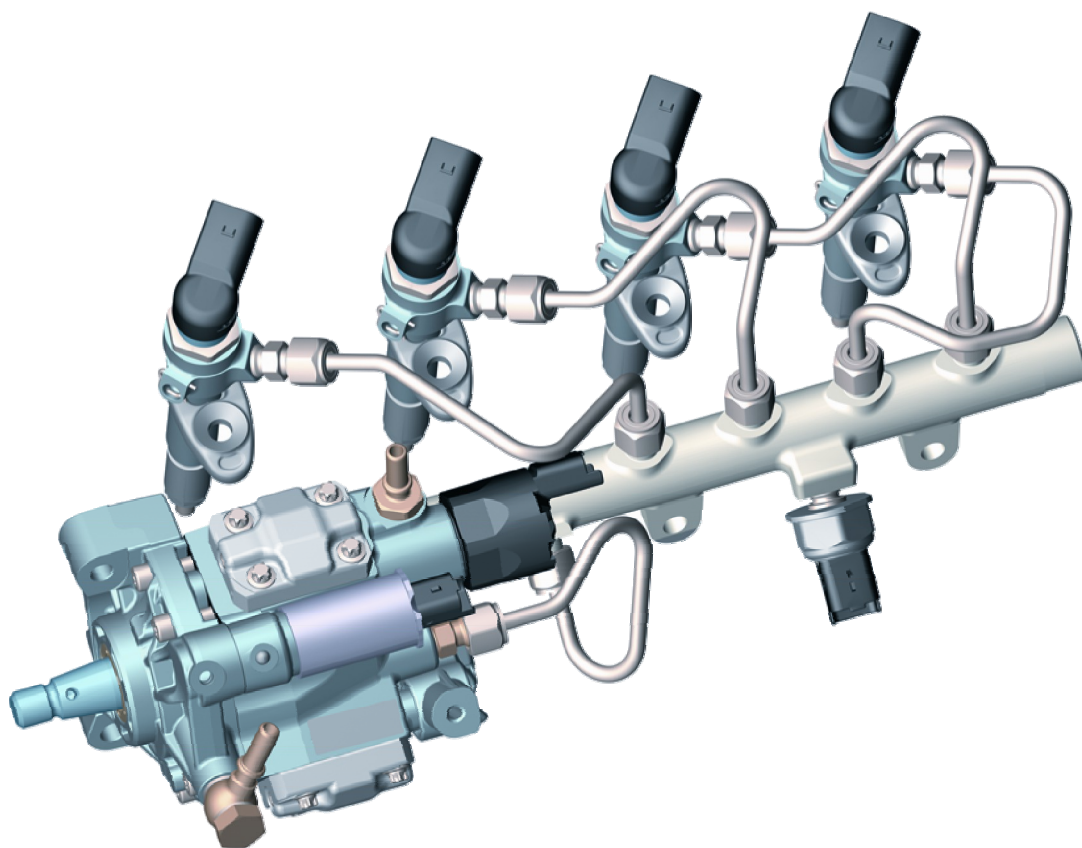
Cross Reference

| Manufacturer | OE_Partnumber | Description | Ordernumber | Remarks |
|--------------|------------------------|---|-------------|-------------------------------------|
| Continental | A2C20000598 / 5WS40019 | CR-Pump DW10B => replaced by 5WS40809-Z | 5WS40019-Z | |
| Continental | A2C20003791 / 5WS40163 | CR-Pump DW10B (VOLVO) | 5WS40163-Z | |
| Continental | A2C27100268 / 5WS40380 | CR-Pump DW10B (VOLVO NEW) | A2C59511600 | 5WS40380 |
| Continental | A2C53334602 / 5WS40809 | CR-Pump DW10B | 5WS40809-Z | |
| Ford | 1231950 | Pipe Pump DW10B | 5WS40040-Z | only for welded rails until 11/2004 |
| Ford | 1231951 | Pipe CYL 1+3 DW10B | 5WS40042-Z | only for welded rails until 11/2004 |
| Ford | 1373546 | CR-Pump DW10B => replaced by 5WS40809-Z | 5WS40019-Z | replaced by 5WS40809-Z |
| Ford | 1373549 | Injector DW10B CLASS 4 | 5WS40156-4Z | |
| Ford | 1373550 | Injector DW10B CLASS 5 | 5WS40156-Z | |
| Ford | 1376439 | CR-Pump DW10B (VOLVO NEW) | A2C59511600 | 5WS40380 |
| Ford | 1483820 | Injector DW10B CLASS 6 | A2C59511601 | 5WS40156-6 |
| Ford | 1508245 | CR-Pump DW10B (VOLVO NEW) | A2C59511600 | 5WS40380 |
| Ford | 1508245 | CR-Pump DW10B (VOLVO NEW) | A2C59511600 | 5WS40380 |
| Ford | 1541974 | CR-Pump DW10B (VOLVO NEW) | A2C59511600 | 5WS40380 |
| Ford | 3M5Q9A543BD | CR-Pump DW10B => replaced by | 5WS40019-Z | replaced by 5WS40809-Z |

| Manufacturer | Partnumber | Description | Ordernumber | Remarks |
|--------------|-------------|---|------------------|--|
| | | 5WS40809-Z | | |
| Ford | 3M5Q9A543CB | CR-Pump DW10B (VOLVO NEW) | A2C59511600 | 5WS40380 |
| Ford | 3M5Q9F593DB | Injector DW10B CLASS 4 | 5WS40156-4Z | |
| Ford | 3M5Q9F593EA | Injector DW10B CLASS 5 | 5WS40156-Z | |
| Ford | 3M5Q9F593EB | Injector DW10B CLASS 5 | 5WS40156-Z | |
| Ford | 3M5Q9F593FB | Injector DW10B CLASS 6 | A2C59511601 | 5WS40156-6 |
| Ford | 3M5Q9J323BA | Pipe Pump DW10B | 5WS40040-Z | only for welded rails until 11/2004 |
| Ford | 3M5Q9N868CA | Pipe CYL 1+3 DW10B | 5WS40042-Z | only for welded rails until 11/2004 |
| Ford | 3M5Q9N868DA | Pipe CYL 2+4 DW10B | 5WS40043-Z | only for welded rails until 11/2004 |
| PSA | 1570F8 | Pipe Pump DW10B | 5WS40040-Z | only for welded rails until 11/2004 |
| PSA | 1570G0 | Pipe CYL 1+3 DW10B | 5WS40042-Z | only for welded rails until 11/2004 |
| PSA | 1570G1 | Pipe CYL 2+4 DW10B | 5WS40043-Z | only for welded rails until 11/2004 |
| PSA | 1920KV | CR-Pump DW10B => replaced by 5WS40809-Z | 5WS40019-Z | replaced by 5WS40809-Z |
| PSA | 1920QH | CR-Pump DW10B => replaced by 5WS40809-Z | 5WS40019-Z | replaced by 5WS40809-Z |
| PSA | 1980C0 | Injector | Injector | see: 9647247280 |
| PSA | 1980E8 | Injector | Injector | see: 9647247280 |
| PSA | 1980J4 | Injector DW10B CLASS 4 | 5WS40156-4Z | |
| PSA | 1980J5 | Injector DW10B CLASS 5 | 5WS40156-Z | |
| PSA | 1980J9 | Injector DW10B MFMA CL7 | A2C59513552 | 5WS40322-7 |
| PSA | 1980K0 | Injector | Injector | 5WS40322-8 |
| PSA | 1980K8 | Injector DW10B MFMA | A2C59511603 | 5WS40441 |
| PSA | 1982A2 | Leckage Clip DW10B | X11-800-001-003Z | |
| PSA | 30725188 | CR-Pump DW10B (VOLVO NEW) | A2C59511600 | 5WS40380 |
| PSA | 9401982A43 | Leckage Clip | X11-800-001-002Z | |
| PSA | 9464644680 | Leckage Clip DW10B | X11-800-001-003Z | |
| PSA | 964454048A | CR-Pump DW10B => replaced by 5WS40809-Z | 5WS40019-Z | replaced by 5WS40809-Z |
| PSA | 9645834480 | Pipe Pump DW10B | 5WS40040-Z | only for welded rails until 11/2004 |
| PSA | 9647247280 | Injector | Injector | a) Class marking 4,5 or 6 => replace with 5WS40156 (same classification) b) without class marking => replace with 5WS40156 (class 5) |
| PSA | 9654091880 | CR-Pump DW10B => replaced by 5WS40809-Z | 5WS40019-Z | replaced by 5WS40809-Z |
| PSA | 9654615580 | CR-Pump DW10B (VOLVO) | 5WS40163-Z | |
| PSA | 9657144580 | Injector DW10B CLASS 4 | 5WS40156-4Z | see: 9647247280 |
| PSA | 9657144580 | Injector DW10B CLASS 6 | A2C59511601 | see: 9647247280 |
| PSA | 9657144680 | Injector DW10B CLASS 5 | 5WS40156-Z | |

| Manufacturer | OE_Partnumber | Description | Ordernumber | Remarks |
|--------------|---------------|---|-------------|--|
| PSA | 9657144680 | Injector DW10B CLASS 5 | 5WS40156-Z | |
| PSA | 9657144780 | Injector DW10B CLASS 5 | 5WS40156-Z | |
| PSA | 9658193780 | CR-Pump DW10B (VOLVO) | 5WS40163-Z | |
| PSA | 9658193980 | CR-Pump DW10B => replaced by 5WS40809-Z | 5WS40019-Z | replaced by 5WS40809-Z |
| PSA | 9658194180 | Injector DW10B MFMA | A2C59511603 | 5WS40322 |
| PSA | 9659244280 | Injector DW10B CLASS 5 | 5WS40156-Z | |
| PSA | 9660334880 | Injector DW10B MFMA | A2C59511603 | can also be replaced by 5WS40322, but ECU calibration updated needed |
| PSA | 9661683980 | Injector | Injector | replaced by 5WS40156 (class 5 only) |
| PSA | 9662021580 | CR-Pump DW10B (VOLVO NEW) | A2C59511600 | 5WS40380 |
| PSA | 9681900980 | CR-Pump DW10B => replaced by 5WS40809-Z | 5WS40019-Z | replaced by 5WS40809-Z |
| PSA | 9683023580 | CR-Pump DW10B => replaced by 5WS40809-Z | 5WS40019-Z | replaced by 5WS40809-Z |
| PSA | 9683623780 | CR-Pump DW10B => replaced by 5WS40809-Z | 5WS40019-Z | replaced by 5WS40809-Z |
| PSA | 9683624080 | CR-Pump DW10B (VOLVO NEW) | A2C59511600 | 5WS40380 |
| PSA | 9683627780 | CR-Pump DW10B => replaced by 5WS40809-Z | 5WS40019-Z | replaced by 5WS40809-Z |
| PSA | 9685704880 | CR-Pump DW10B => replaced by 5WS40809-Z | 5WS40019-Z | replaced by 5WS40809-Z |
| PSA | 9685704880 | CR-Pump DW10B => replaced by 5WS40809-Z | 5WS40019-Z | replaced by 5WS40809-Z |
| PSA | 9685705080 | CR-Pump DW10B (VOLVO NEW) | A2C59511600 | 5WS40380 |
| PSA | 9688153080 | CR-Pump DW10B => replaced by 5WS40809-Z | 5WS40019-Z | replaced by 5WS40809-Z |
| Volvo | 30725106 | Injector | Injector | 5WS40518 |
| Volvo | 31216456 | Injector DW10B CLASS 6 | A2C59511601 | 5WS40156-6 |
| Volvo | 8603177 | Injector | Injector | see: 9647247280 |
| Volvo | 8603319 | Injector | Injector | see: 9647247280 |
| Volvo | 8603527 | CR-Pump DW10B (VOLVO) | 5WS40163-Z | |
| Volvo | 8603564 | Injector DW10B CLASS 5 | 5WS40156-Z | |
| Volvo | 8603565 | Injector DW10B CLASS 4 | 5WS40156-4Z | |

PCR 2.3 K9K



Manufacturer

1.5l | 66kW | 85 kW

Nissan Qashqai
Renault Megane

Nissan Tiida
Renault Modus

Renault Clio
Renault Scenic

Notice

Please note that we cannot offer you any Supply Pipes for this system.

Spare Parts

Category Part_Number Description

| | | |
|------------|------------------|--------------------------------|
| CR-Pump | A2C59511605 | CR-Pump K9K |
| Injector | A2C59511606 | Injector K9K |
| Misc | X11-800-001-002Z | Leckage Clip |
| Rail | A2C59511607 | Rail With Sensor K9K |
| RepairPart | A2C53259841Z | Volume Control Valve (VCV) K9K |
| RepairPart | X39-800-300-005Z | Pressure Control Valve (PCV) |

Cross Reference

Manufacturer OE_Partnumber Description Ordernumber Remarks

| Manufacturer | OE_Partnumber | Description | Ordernumber | Remarks |
|--------------|------------------------|----------------------|------------------|--------------------------|
| Continental | A2C20000754 / 5WS40153 | CR-Pump K9K | A2C59511605 | 5WS40153 |
| Renault | 166009445R | Injector K9K | A2C59511606 | |
| Renault | 167008859R | CR-Pump K9K | A2C59511605 | 5WS40153 |
| Renault | 7701477442 | Leakage Clip | X11-800-001-002Z | |
| Renault | 8200380253 | Injector K9K | A2C59511606 | replaced by 8200842205 |
| Renault | 8200397346 | Rail With Sensor K9K | A2C59511607 | 5WS40154 |
| Renault | 8200430599 | CR-Pump K9K | A2C59511605 | replaced by 8200 663 258 |
| Renault | 8200579287 | Rail With Sensor K9K | A2C59511607 | 5WS40154 |
| Renault | 8200663258 | CR-Pump K9K | A2C59511605 | 5WS40153 |
| Renault | 8200815617 | Rail With Sensor K9K | A2C59511607 | 5WS40154 |
| Renault | 8200821184 | CR-Pump K9K | A2C59511605 | 5WS40153 |
| Renault | 8200842205 | Injector K9K | A2C59511606 | |
| Renault | 8200845671 | Rail With Sensor K9K | A2C59511607 | 5WS40154 |
| Renault | 8201042300 | Injector K9K | A2C59511606 | |

K9K - Euro 5



Manufacturer

1.5l | 66kW | 85 kW

Renault

Nissan

will replace K9K Euro 4 System

Spare Parts

Category Part_Number Description

| | | |
|----------|-------------|----------------------------|
| CR-Pump | A2C59513595 | CR Pump K9K EU5 |
| Injector | A2C59513484 | Injector K9K EU5 |
| Rail | A2C59513750 | Rail K9K EU5 (with sensor) |

Cross Reference

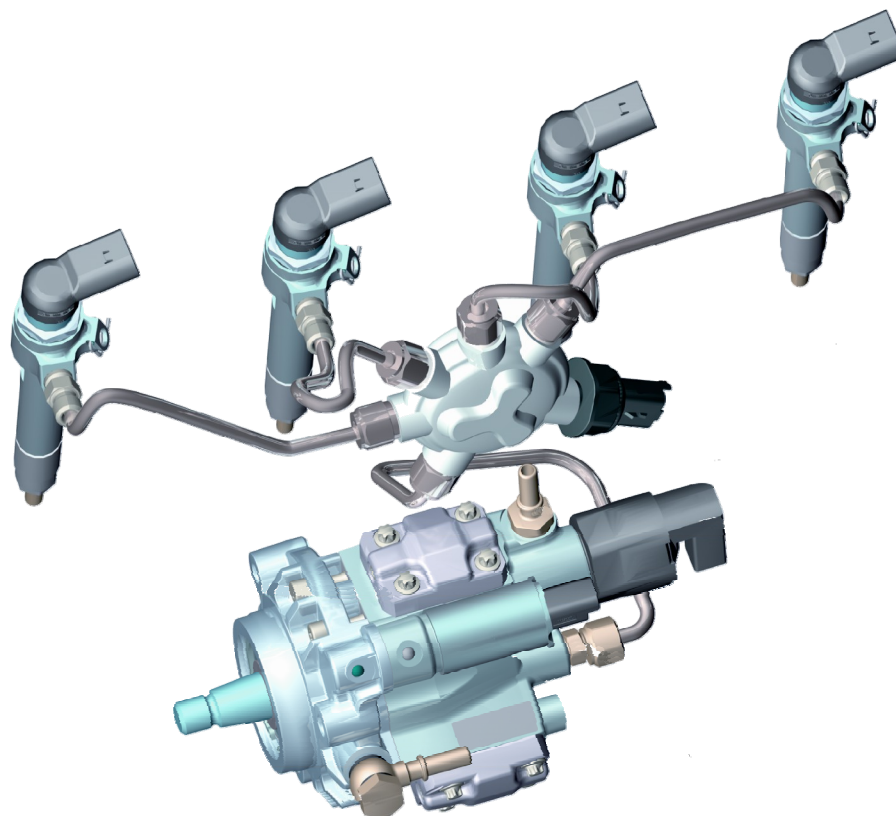
Manufacturer OE_ Partnumber Description

Ordernumber Remarks

| | | | | |
|-------------|------------------------|----------------------------|-------------|----------|
| Continental | A2C53252602 / 5WS40565 | CR Pump K9K EU5 | A2C59513595 | 5WS40565 |
| Renault | 167000938R | CR Pump K9K EU5 | A2C59513595 | 5WS40565 |
| Renault | 8200619296 | Rail K9K EU5 (with sensor) | A2C59513750 | 5WS40440 |
| Renault | 8200702621 | CR Pump K9K EU5 | A2C59513595 | 5WS40565 |

| Manufacturer OE_ Partnumber Description | | | Ordernumber Remarks | |
|---|------------|----------------------------|---------------------|----------|
| Renault | 8200704200 | CR Pump K9K EU5 | A2C59513595 | 5WS40565 |
| Renault | 8200704212 | Rail K9K EU5 (with sensor) | A2C59513750 | 5WS40440 |
| Renault | 8200903034 | Injector K9K EU5 | A2C59513484 | 5WS40536 |

PCR 2.3 Lynx



Manufacturer

1.8l | 85 kW | 92 kW

Ford C-Max
Ford Mondeo

Ford Connect
Ford S-Max

Ford Galaxy
Ford Transit

Notice

Please note that we cannot offer you any Rails or Supply pipes for this system.

Spare Parts

Category Part_Number Description

| | | |
|------------|------------------|------------------------------------|
| CR-Pump | A2C59511609 | CR-Pump LYNX |
| Injector | A2C59511611 | Injector LYNX_V227 |
| Injector | A2C59511610 | Injector LYNX |
| Misc | X11-800-001-003Z | Leckage Clip DW10B |
| Misc | X11-800-002-003Z | Copper Ring (2.0mm) |
| RepairPart | X39-800-300-006Z | Volume Control Valve (VCV) Screwed |

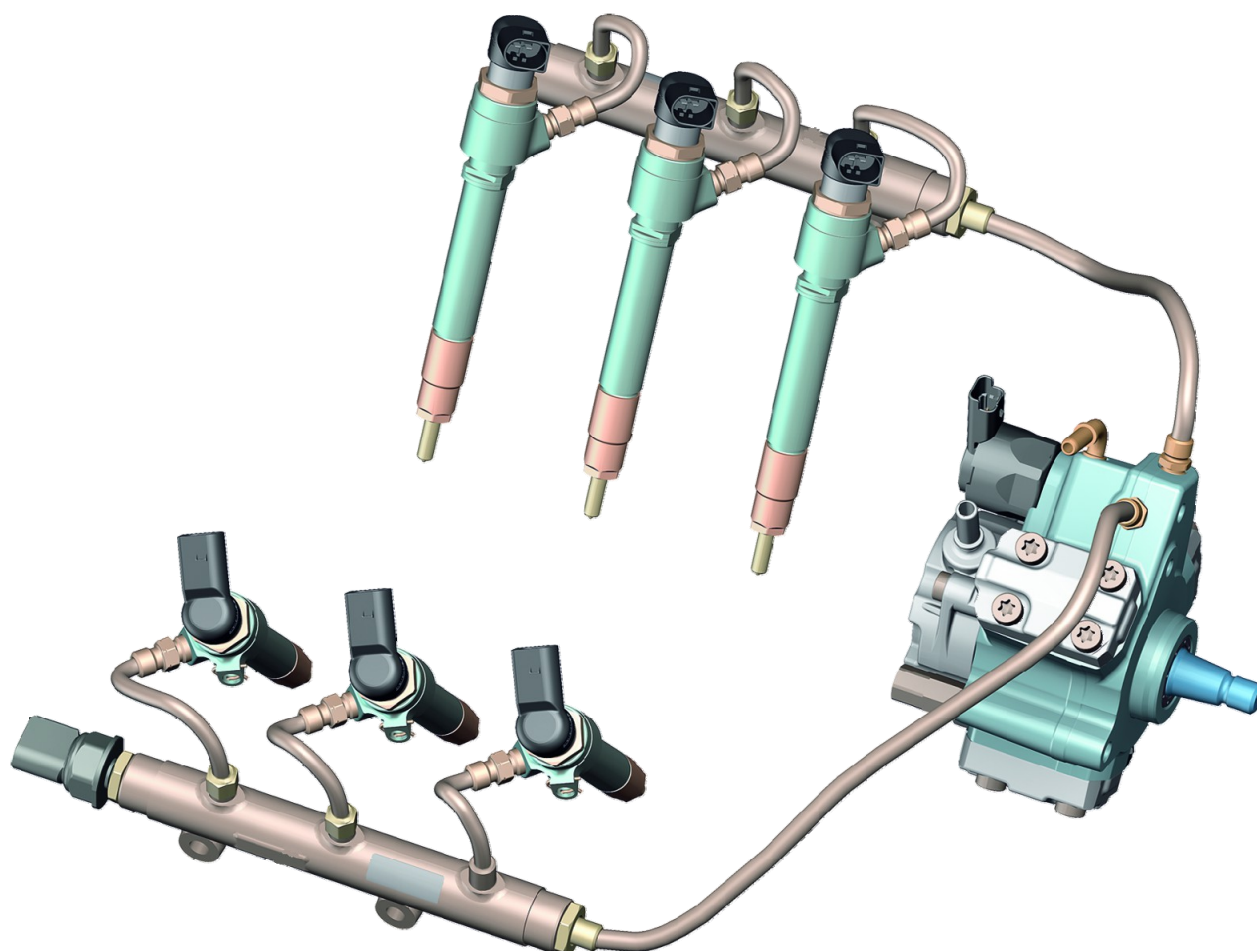
Category Part_Number Description

| | | |
|------------|------------------|------------------------------|
| RepairPart | X39-800-300-005Z | Pressure Control Valve (PCV) |
|------------|------------------|------------------------------|

Cross Reference**Manufacturer OE_Partnumber Description Ordernumber Remarks**

| | | | | |
|-------------|------------------------|--------------------|-------------|----------|
| Continental | A2C20003032 / 5WS40094 | CR-Pump LYNX | A2C59511609 | 5WS40094 |
| Ford | 1355051 | Injector LYNX | A2C59511610 | 5WS40086 |
| Ford | 1355053 | CR-Pump LYNX | A2C59511609 | 5WS40094 |
| Ford | 1432322 | Injector LYNX_V227 | A2C59511611 | 5WS40250 |
| Ford | 1459401 | CR-Pump LYNX | A2C59511609 | 5WS40094 |
| Ford | 1543842 | CR-Pump LYNX | A2C59511609 | 5WS40094 |
| Ford | 4M5Q9B395AD | CR-Pump LYNX | A2C59511609 | 5WS40094 |
| Ford | 4M5Q9B395AE | CR-Pump LYNX | A2C59511609 | 5WS40094 |
| Ford | 4M5Q9B395AF | CR-Pump LYNX | A2C59511609 | 5WS40094 |
| Ford | 4M5Q9F593AD | Injector LYNX | A2C59511610 | 5WS40086 |
| Ford | 7T1Q9F593AB | Injector LYNX_V227 | A2C59511611 | 5WS40250 |

LionV6 Upgrade



Manufacturer

2.7l V6 Diesel

Land Rover Freelander
Jaguar X Type

Range Rover Sport
Jaguar X Type

(Bosch System from 2011 onwards)

Notice

Please note that we cannot offer you any Supply Pipes for this system.

Spare Parts

Category Part_Number Description

| | | |
|----------|------------------|--------------------------|
| CR-Pump | A2C59513482 | CR Pump LionV6 upgrade |
| Injector | A2C59513553 | Injector LION V6 UPGRADE |
| Misc | X11-800-001-002Z | Leckage Clip |

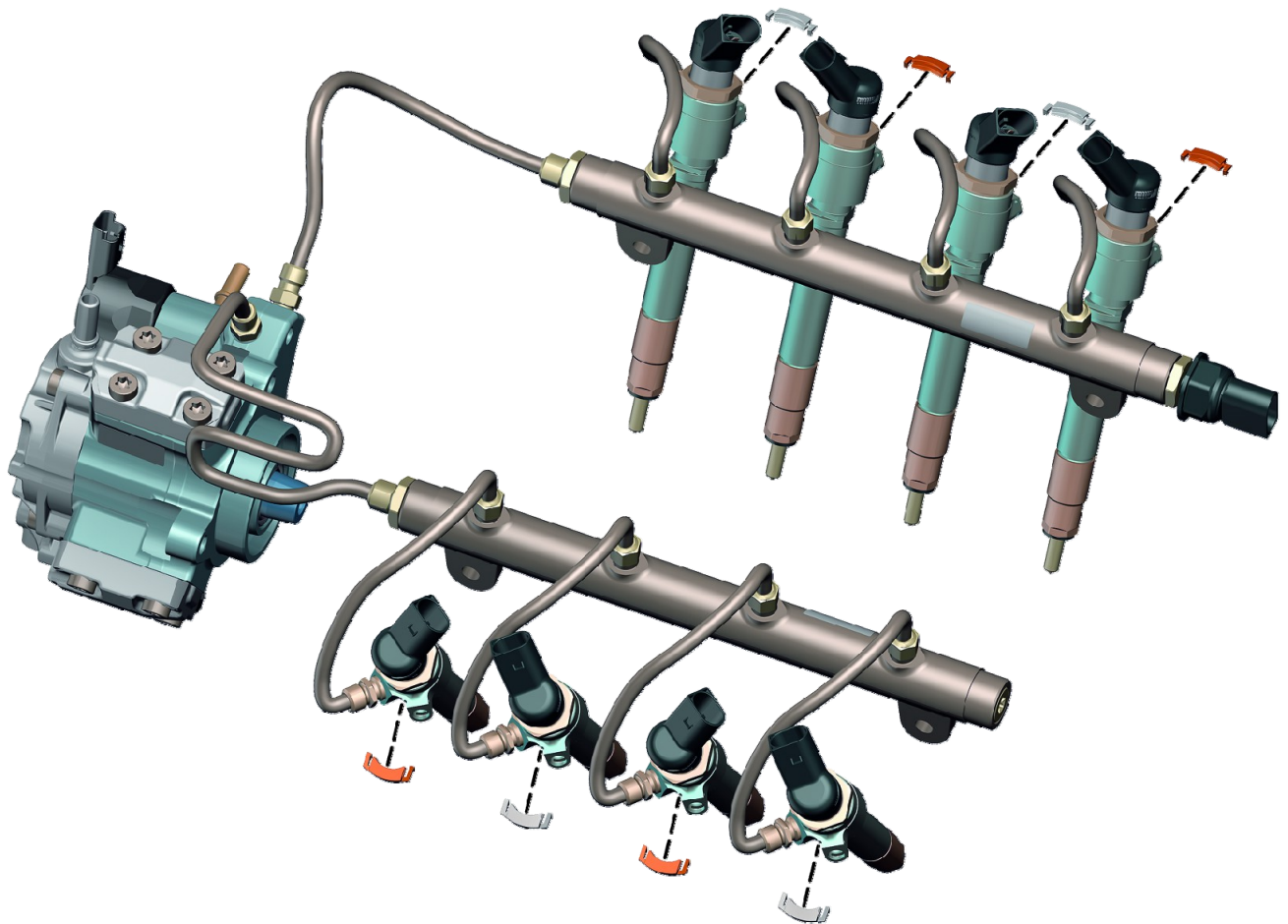
Category Part_Number Description

| | | |
|------|------------------|--------------------------------------|
| Misc | X11-800-002-002Z | Copper Ring (1.5mm) |
| Misc | A2C59511320 | Injector Clamp Lion |
| Rail | A2C59513703 | Rail LH (with sensor) LionV6 Upgrade |
| Rail | A2C59513702 | Rail RH LionV6 Upgrade |

Cross Reference**Manufacturer OI Partnumber Description****Ordernumber Remarks**

| Manufacturer OI | Partnumber | Description | Ordernumber | Remarks |
|-----------------|------------------------|--------------------------------------|-------------|----------|
| Continental | A2C20003282 / 5WS40273 | CR Pump LionV6 upgrade | A2C59513482 | 5WS40273 |
| Ford | 1454748 | CR Pump LionV6 upgrade | A2C59513482 | 5WS40273 |
| Ford | 1468884 | CR Pump LionV6 upgrade | A2C59513482 | 5WS40273 |
| Ford | 1468887 | Rail RH LionV6 Upgrade | A2C59513702 | 5WS40271 |
| Ford | 1468894 | Rail LH (with sensor) LionV6 Upgrade | A2C59513703 | 5WS40272 |
| Ford | 1541452 | CR Pump LionV6 upgrade | A2C59513482 | 5WS40273 |
| Ford | 7H2Q9B395CC | CR Pump LionV6 upgrade | A2C59513482 | 5WS40273 |
| Ford | 7H2Q9B395CD | CR Pump LionV6 upgrade | A2C59513482 | 5WS40273 |
| Ford | 7H2Q9B395CE | CR Pump LionV6 upgrade | A2C59513482 | 5WS40273 |
| Ford | 7H2Q9B395CF | CR Pump LionV6 upgrade | A2C59513482 | 5WS40273 |
| Ford | 7H2Q9B395CG | CR Pump LionV6 upgrade | A2C59513482 | 5WS40273 |
| Ford | 7H2Q9B395CH | CR Pump LionV6 upgrade | A2C59513482 | 5WS40273 |
| Ford | 7H2Q9D280CD | Rail LH (with sensor) LionV6 Upgrade | A2C59513703 | 5WS40272 |
| Ford | 7H2Q9D280CE | Rail LH (with sensor) LionV6 Upgrade | A2C59513703 | 5WS40272 |
| Ford | 7H2Q9D280DD | Rail RH LionV6 Upgrade | A2C59513702 | 5WS40271 |
| Ford | 7H2Q9D280DE | Rail RH LionV6 Upgrade | A2C59513702 | 5WS40271 |
| Ford | 7H2Q9K546CB | Injector LION V6 UPGRADE | A2C59513553 | 5WS40252 |
| Ford | LR004712 | CR Pump LionV6 upgrade | A2C59513482 | 5WS40273 |
| Landrover | 1489401 | Injector LION V6 UPGRADE | A2C59513553 | 5WS40252 |
| Landrover | LR005549 | CR Pump LionV6 upgrade | A2C59513482 | 5WS40273 |
| Landrover | LR005551 | Rail RH LionV6 Upgrade | A2C59513702 | 5WS40271 |
| Landrover | LR005553 | Rail LH (with sensor) LionV6 Upgrade | A2C59513703 | 5WS40272 |
| Landrover | LR006496 | Injector LION V6 UPGRADE | A2C59513553 | 5WS40252 |
| Landrover | LR009666 | CR Pump LionV6 upgrade | A2C59513482 | 5WS40273 |
| Landrover | LR017367 | CR Pump LionV6 upgrade | A2C59513482 | 5WS40273 |
| Landrover | LR020020 | Rail LH (with sensor) LionV6 Upgrade | A2C59513703 | 5WS40272 |
| Landrover | LR020021 | Rail RH LionV6 Upgrade | A2C59513702 | 5WS40271 |

LionV8



Manufacturer

3.6l V8 Diesel

Land Rover Freelander

Range Rover Sport

(Bosch from 2011 onwards)

Notice

Please note that there are two types of injectors (with red or with white clip). The difference between them is the angle of injector's drive.

Spare Parts

Category Part_Number Description

| | | |
|----------|------------------|---------------------------------|
| CR-Pump | A2C59513481 | CR Pump LionV8 |
| Injector | A2C59513597 | Injector LionV8 (174, red clip) |
| Injector | A2C59513596 | Injector LionV8 (white clip) |
| Misc | X11-800-001-002Z | Leckage Clip |

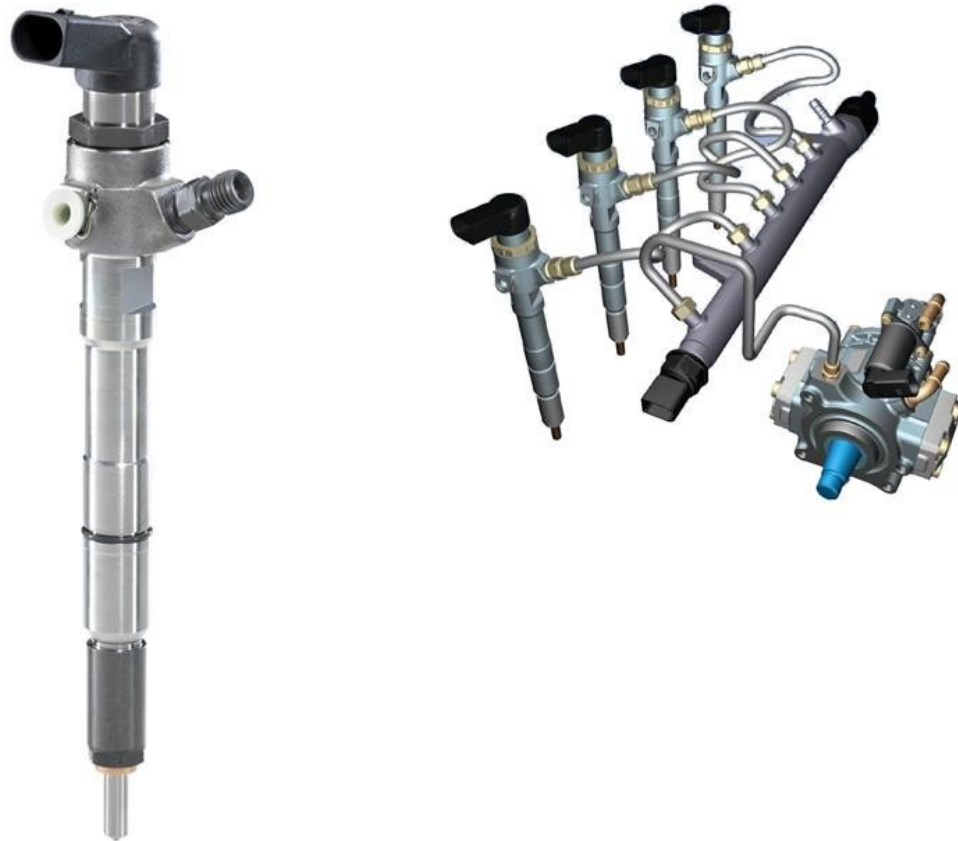
Category Part_Number Description

| | | |
|------|------------------|----------------------------|
| Misc | X11-800-002-002Z | Copper Ring (1.5mm) |
| Misc | A2C59511320 | Injector Clamp Lion |
| Rail | A2C59513699 | Rail LH LionV8 |
| Rail | A2C59513512 | Rail RH With Sensor LionV8 |

Cross Reference

| Manufacturer | OE Partnumber | Description | Ordernumber | Remarks |
|--------------|---------------|---------------------------------|-------------|----------|
| Ford | 1459570 | Rail LH LionV8 | A2C59513699 | 5WS40256 |
| Ford | 1459571 | Rail RH With Sensor LionV8 | A2C59513512 | 5WS40255 |
| Ford | 6H4Q9D280AB | Rail LH LionV8 | A2C59513699 | 5WS40256 |
| Ford | 6H4Q9D280AC | Rail LH LionV8 | A2C59513699 | 5WS40256 |
| Ford | 6H4Q9D280BB | Rail RH With Sensor LionV8 | A2C59513512 | 5WS40255 |
| Landrover | 6H4Q9D280BC | Rail RH With Sensor LionV8 | A2C59513512 | 5WS40255 |
| Landrover | 6H4Q9K546DB | Injector LionV8 (white clip) | A2C59513596 | 5WS40253 |
| Landrover | 6H4Q9K546EB | Injector LionV8 (174, red clip) | A2C59513597 | 5WS40387 |
| Landrover | LR005055 | Rail LH LionV8 | A2C59513699 | 5WS40256 |
| Landrover | LR005056 | Rail RH With Sensor LionV8 | A2C59513512 | 5WS40255 |
| Landrover | LR009737 | CR Pump LionV8 | A2C59513481 | 5WS40254 |
| Landrover | LR020018 | Rail LH LionV8 | A2C59513699 | 5WS40256 |
| Landrover | LR020019 | Rail RH With Sensor LionV8 | A2C59513512 | 5WS40255 |

PCR 2.1 VW Common Rail



Manufacturer

1,6l Cross Carline
VW, Audi, Seat, Skoda

Caddy (2011>>)

Jetta/Syncro (2009 >>2011)

Polo / Derby / Vento (2010>>)
Audi A3/S3/Sportback
(2009>>)

Seat Altea (2011 >>)

Seat Leon / Leon 4 (2011 >>)

Skoda Roomster (2011 >>)

Golf / Variant / 4Motion
(2009>>2011)

Jetta/Syncro (2011 >>)

Touran (2011 >>)
Audi A3 Cabrio (2008>>)

Seat Ibiza/ST (2009>>2011)

Skoda Fabia (2011 >>)

Skoda Superb (2008 >>)

Golf Plus (2009>>2011)

Passat / 4Motion / Santana
(2009>>)

Audi A1 (2010 >>)

Seat Altea (2007 >> 2010)

Seat Leon / Leon 4 (2006 >> 2010)

Skoda Octavia (2009 >>)

Skoda Yeti (2010 >>)

Notice

Please note that the injector is coded. The replacement injector has to be registered in the engine management unit

Please note that we cannot offer you any Supply Pipes or Rails for this system.

Spare Parts

Category Part_Number Description

| | | |
|----------|------------------|----------------------------|
| Injector | A2C59513554 | Injektor VW CR |
| Misc | X11-800-001-002Z | Leckage Clip |
| Misc | X11-800-002-004Z | Copper Ring (2,5mm 6-Nose) |

Cross Reference

| Manufacturer | OE_Partnumber | Description | Ordernumber | Remarks |
|--------------|------------------------|----------------------------|------------------|--|
| Continental | A2C53247964 / 5WS40601 | CR-Pump | CR-Pump | 5WS40601 CR-Pump (Basis) not released yet for IAM |
| Continental | A2C53341464 / 5WS40836 | CR-Pump | CR-Pump | 5WS40836 CR-Pump (Start&Stop) not released yet for IAM |
| VW | 03L130277B | Injektor VW CR | A2C59513554 | 5WS40539 |
| VW | 03L130447 | Leckage Clip | X11-800-001-002Z | |
| VW | 03L130519 | Copper Ring (2,5mm 6-Nose) | X11-800-002-004Z | |
| VW | 03L130755B | CR-Pump | CR-Pump | 5WS40601 CR-Pump (Basis) not released yet for IAM |
| VW | 03L130755E | CR-Pump | CR-Pump | 5WS40836 CR-Pump (Start&Stop) not released yet for IAM |
| VW | 03L130755G | CR-Pump | CR-Pump | not released yet for IAM |
| VW | 03L130755H | CR-Pump | CR-Pump | not released yet for IAM |

DV 6C TED4



Manufacturer

1.6l | 82 kW

Cross Carline: Peugeot, Citroën, Ford, Volvo, Mazda

Berlingo/Partner [B98]

Citroën C3/C2

Peugeot 307/8 [T7/T8]

Peugeot 508 [W2]

Peugeot 407 [W2]

new Citroën C4 / DS4 [B7]

Citroën Modus [A 58]

Fiat Scudo [G9]

Volvo tbd.

Ford Fiesta / Fusion [B299/B232]

Peugeot 207 - [A72]

Citroën C3 Picasso [A58]

Peugeot 3008 / 5008 [T84 / T87]

Citroën C5 [X7]

Citroën C4 [B5]

new Citroën C4 Picasso [B78]

Citroën Jumpy [G9]

Ford Focus [C346]

Mazda C-platform tbd.

Ford Transit Connect [V408]

Future Peugeot 208 [A9]

Citroën C3 / DS3 [A7 / A515]

Future Peugeot 308 [T9]

Citroën C4 Picasso [B58]

new Citroën C4 / DS4 [B7]

Citroën DS5 [B81]

Peugeot Expert [G9]

Ford C-Max [C344]

Mazda B-platform tbd.

Ford Transit Connect [V408]

Notice

Please note that the injector is coded. The replacement injector has to be registered in the engine management unit

Please note that we cannot offer you any Supply Pipes or Rails for this system.

Please note that the both pumps A2C59513555 and A2C59513830 look alike however both have different inner components therefore they have different OE numbers.

Please note that compared to the other two pumps, the pump A2C59513829 has the different L-Pipe inlet connector.

Spare Parts

Category Part_Number Description

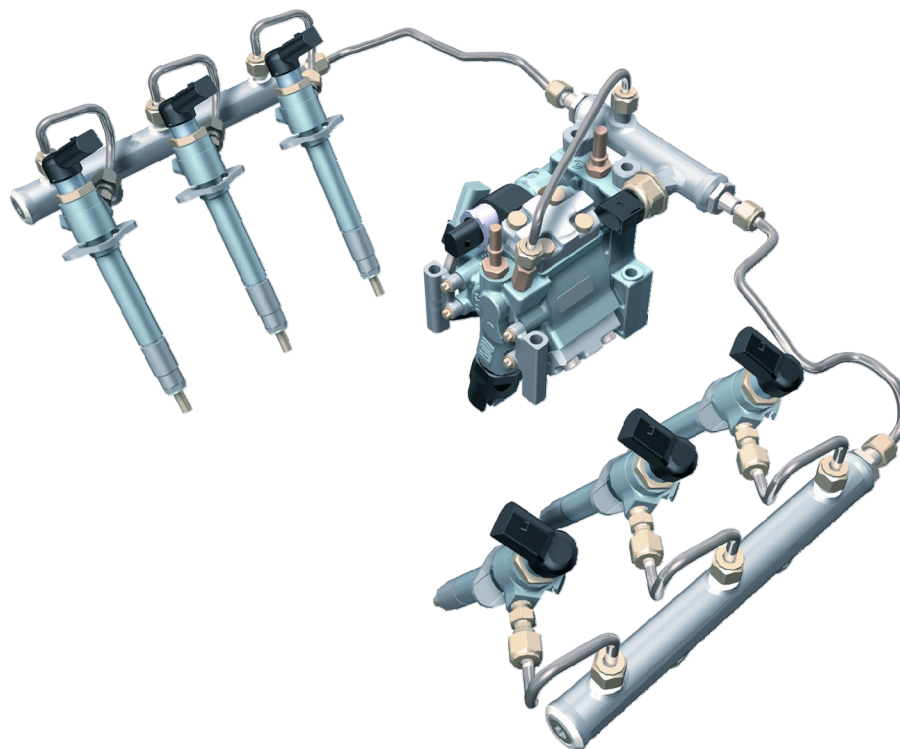
| | | |
|----------|-------------|-----------------------------|
| CR-Pump | A2C59513830 | CR Pump DV6 (StartStop) |
| CR-Pump | A2C59513555 | CR Pump DV6 |
| CR-Pump | A2C59513829 | CR Pump DV6 (Ford) |
| Injector | A2C59513556 | CR Injector DV6C |
| Misc | A2C59514037 | O-ring gasket (return line) |
| Misc | A2C59514036 | Copper Ring DV6 |

Cross Reference

| Manufacturer | OE_Partnumber | Description | Ordernumber | Remarks |
|--------------|------------------------|-----------------------------|-------------|-----------------------------------|
| Continental | A2C53300211 / 5WS40657 | CR Pump DV6 | A2C59513555 | 5WS40657 |
| Continental | A2C53311566 / 5WS40657 | CR Pump DV6 | A2C59513555 | 5WS40657 |
| Continental | A2C53381555 / 5WS40894 | CR Pump DV6 (StartStop) | A2C59513830 | 5WS40894 CR-Pump DV6 (Start&Stop) |
| Continental | A2C53384062 / 5WS40893 | CR Pump DV6 (Ford) | A2C59513829 | 5WS40893 CR-Pump DV6 Ford |
| Ford | 1700411 | O-ring gasket (return line) | A2C59514037 | |
| Ford | 1685796 | CR Injector DV6C | A2C59513556 | 5WS40677 |
| Ford | 1685831 | CR Pump DV6 (Ford) | A2C59513829 | 5WS40893 CR-Pump DV6 Ford |
| Ford | 1700379 | Copper Ring DV6 | A2C59514036 | |
| Ford | 1707059 | CR Pump DV6 (Ford) | A2C59513829 | 5WS40893 CR-Pump DV6 Ford |
| Ford | 1709667 | CR Injector DV6C | A2C59513556 | 5WS40677 |
| Ford | 1720038 | CR Pump DV6 (Ford) | A2C59513829 | 5WS40893 CR-Pump DV6 Ford |
| Ford | AV6Q9A543AA | CR Pump DV6 (Ford) | A2C59513829 | 5WS40893 CR-Pump DV6 Ford |
| Ford | AV6Q9A543CA | CR Pump DV6 (Ford) | A2C59513829 | 5WS40893 CR-Pump DV6 Ford |
| Ford | AV6Q9A543CB | CR Pump DV6 (Ford) | A2C59513829 | 5WS40893 CR-Pump DV6 Ford |
| Ford | AV6Q9E568AA | Copper Ring DV6 | A2C59514036 | |
| Ford | AV6Q9F593AA | CR Injector DV6C | A2C59513556 | 5WS40677 |
| Ford | AV6Q9F593AB | CR Injector DV6C | A2C59513556 | 5WS40677 |
| Ford | AV6Q9T558AA | O-ring gasket (return line) | A2C59514037 | |
| PSA | 1920QX | CR Pump DV6 | A2C59513555 | 5WS40657 |
| PSA | 1920RY | CR Pump DV6 (StartStop) | A2C59513830 | 5WS40894 CR-Pump DV6 (Start&Stop) |
| PSA | 1980ER | CR Injector DV6C | A2C59513556 | 5WS40677 |
| PSA | 1980R9 | CR Injector DV6C | A2C59513556 | 5WS40677 |
| PSA | 198193 | O-ring gasket (return line) | A2C59514037 | |
| PSA | 198194 | Copper Ring DV6 | A2C59514036 | |
| PSA | 9670652580 | CR Pump DV6 | A2C59513555 | 5WS40657 |
| PSA | 9672605380 | CR Pump DV6 | A2C59513830 | 5WS40894 CR-Pump DV6 |

| Manufacturer | OEM_Partnumber | Description | Ordernumber | Remarks |
|--------------|----------------|--------------------|-------------|---------------------------|
| | | (StartStop) | | (Start&Stop) |
| PSA | 9672605580 | CR Injector DV6C | A2C59513556 | 5WS40677 |
| PSA | 9674973080 | CR Injector DV6C | A2C59513556 | 5WS40677 |
| PSA | 9676289780 | CR Injector DV6C | A2C59513556 | 5WS40677 |
| PSA | 9683957238A | CR Injector DV6C | A2C59513556 | 5WS40677 |
| PSA | 9683957280 | CR Injector DV6C | A2C59513556 | 5WS40677 |
| Volvo | 31303994 | CR Injector DV6C | A2C59513556 | 5WS40677 |
| Volvo | 31321487 | CR Pump DV6 (Ford) | A2C59513829 | 5WS40893 CR-Pump DV6 Ford |
| Volvo | 31321711 | Copper Ring DV6 | A2C59514036 | |
| Volvo | 31336585 | CR Injector DV6C | A2C59513556 | 5WS40677 |
| Volvo | 31336623 | CR Pump DV6 (Ford) | A2C59513829 | 5WS40893 CR-Pump DV6 Ford |

PCR 2.3 LionV6



Manufacturer

2.7l | 4-valve engine | Euro 3 / Euro 4

Citroën C6
Peugeot 407
Range Rover Sport

Jaguar S-Type
Peugeot 607
Range Rover Sport

Jaguar XJ
Landrover Discovery

Notice

Please note that we cannot offer you any Supply Pipes for this system.

Spare Parts

Category Part_Number Description

| | | |
|----------|------------------|--------------------------------|
| CR-Pump | A2C59511314 | CR-Pump LION V6/DT17 |
| Injector | A2C59511315 | Injector LION V6 JAGUAR EURO 3 |
| Injector | A2C59511316 | Injector LION V6/DT17 EURO 4 |
| Injector | A2C59511364 | Injector LION V6 LAND ROVER |
| Misc | A2C59511320 | Injector Clamp Lion |
| Misc | X11-800-001-002Z | Leckage Clip |
| Misc | X11-800-002-002Z | Copper Ring (1.5mm) |

Category Part_Number Description

| | | |
|------------|------------------|-----------------------------------|
| Rail | A2C59511319 | Rail RIGHT LION V6/DT17 |
| Rail | A2C59511317 | Diverter Rail LION V6/DT17 |
| Rail | A2C59511318 | Rail LEFT LION V6/DT17 |
| RepairPart | A2C20000719Z | Volume Control Valve (VCV) LionV6 |
| RepairPart | X39-800-300-005Z | Pressure Control Valve (PCV) |

Cross Reference

| Manufacturer OE Partnumber Description | | | Ordernumber Remarks | |
|---|------------------------|--------------------------------|----------------------------|----------|
| Continental | A2C20003757 / 5WS40157 | CR-Pump LION V6/DT17 | A2C59511314 | 5WS40157 |
| Ford | 1334919 | CR-Pump LION V6/DT17 | A2C59511314 | 5WS40157 |
| Ford | 1369551 | Rail LEFT LION V6/DT17 | A2C59511318 | 5WS40129 |
| Ford | 1369552 | Rail RIGHT LION V6/DT17 | A2C59511319 | 5WS40130 |
| Ford | 1387695 | Diverter Rail LION V6/DT17 | A2C59511317 | 5WS40128 |
| Ford | 1451604 | CR-Pump LION V6/DT17 | A2C59511314 | 5WS40157 |
| Ford | 1489400 | Injector LION V6 LAND ROVER | A2C59511364 | 5WS40249 |
| Ford | 1544405 | CR-Pump LION V6/DT17 | A2C59511314 | 5WS40157 |
| Ford | 4H2Q9K546AF | Injector LION V6 LAND ROVER | A2C59511364 | 5WS40249 |
| Ford | 4R8Q9C066AE | Diverter Rail LION V6/DT17 | A2C59511317 | 5WS40128 |
| Ford | 4R8Q9D280AC | Rail LEFT LION V6/DT17 | A2C59511318 | 5WS40129 |
| Ford | 4R8Q9D280BC | Rail RIGHT LION V6/DT17 | A2C59511319 | 5WS40130 |
| Ford | 4S7Q9B395AJ | CR-Pump LION V6/DT17 | A2C59511314 | 5WS40157 |
| Ford | 4S7Q9B395AK | CR-Pump LION V6/DT17 | A2C59511314 | 5WS40157 |
| Ford | 4S7Q9B395AL | CR-Pump LION V6/DT17 | A2C59511314 | 5WS40157 |
| Ford | 4S7Q9F524AB | Leckage Clip | X11-800-001-002Z | |
| Ford | 4S7Q9K546AF | Injector LION V6 JAGUAR EURO 3 | A2C59511315 | 5WS40057 |
| Ford | 4S7Q9K546AG | Injector LION V6 JAGUAR EURO 3 | A2C59511315 | 5WS40057 |
| Ford | 4S7Q9L535AC | Injector Clamp Lion | A2C59511320 | 5WS40246 |
| Ford | 4S7Q9M577AA | Copper Ring (1.5mm) | X11-800-002-002Z | |
| Ford | 5U3Q9K546AA | Injector LION V6/DT17 EURO 4 | A2C59511316 | 5WS40103 |
| Ford | 8X2Q9A372AA | Cable Wire For Straight PCV | A2C59513201 | |
| Jaguar | 02C2C40185 | CR-Pump LION V6/DT17 | A2C59511314 | 5WS40157 |
| Jaguar | 02C2C40862 | Cable Wire For Straight PCV | A2C59513201 | |
| Jaguar | C2S21181 | Copper Ring (1.5mm) | X11-800-002-002Z | |
| Jaguar | C2S24003 | Injector Clamp Lion | A2C59511320 | 5WS40246 |
| Jaguar | C2S29876 | Diverter Rail LION V6/DT17 | A2C59511317 | 5WS40128 |
| Jaguar | C2S32276 | Leckage Clip | X11-800-001-002Z | |
| Jaguar | C2S40004 | Injector LION V6/DT17 EURO 4 | A2C59511316 | 5WS40103 |
| Jaguar | C2S43326 | Diverter Rail LION V6/DT17 | A2C59511317 | 5WS40128 |
| Jaguar | JDE2458 | Rail LEFT LION V6/DT17 | A2C59511318 | 5WS40129 |
| Jaguar | JDE2459 | Rail RIGHT LION V6/DT17 | A2C59511319 | 5WS40130 |
| Jaguar | JDE3099 | CR-Pump LION V6/DT17 | A2C59511314 | 5WS40157 |
| Jaguar | JDE4062 | Rail LEFT LION V6/DT17 | A2C59511318 | 5WS40129 |
| Jaguar | JDE4063 | Rail RIGHT LION V6/DT17 | A2C59511319 | 5WS40130 |
| Jaguar | XR845127 | Injector LION V6 JAGUAR EURO 3 | A2C59511315 | 5WS40057 |
| Jaguar | XR856939 | Injector LION V6 JAGUAR EURO 3 | A2C59511315 | 5WS40057 |
| Landrover | LR004295 | CR-Pump LION V6/DT17 | A2C59511314 | 5WS40157 |
| Landrover | LR006495 | Injector LION V6 LAND ROVER | A2C59511364 | 5WS40249 |
| Landrover | LR009804 | CR-Pump LION V6/DT17 | A2C59511314 | 5WS40157 |
| PSA | 1570G8 | Rail LEFT LION V6/DT17 | A2C59511318 | 5WS40129 |
| PSA | 1570G9 | Rail RIGHT LION V6/DT17 | A2C59511319 | 5WS40130 |

| Manufacturer OE Partnumber Description | | | Ordernumber Remarks | |
|--|------------|------------------------------|---------------------|----------|
| PSA | 1570H4 | Diverter Rail LION V6/DT17 | A2C59511317 | 5WS40128 |
| PSA | 1579KK | Leckage Clip | X11-800-001-002Z | |
| PSA | 1920HJ | CR-Pump LION V6/DT17 | A2C59511314 | 5WS40157 |
| PSA | 1980H1 | Injector LION V6/DT17 EURO 4 | A2C59511316 | 5WS40103 |
| PSA | 198167 | Copper Ring (1.5mm) | X11-800-002-002Z | |
| PSA | 1982A4 | Leckage Clip | X11-800-001-002Z | |
| PSA | 1982C6 | Injector Clamp Lion | A2C59511320 | |
| PSA | 9648917080 | Injector LION V6/DT17 EURO 4 | A2C59511316 | 5WS40103 |
| PSA | 9653969680 | Rail LEFT LION V6/DT17 | A2C59511318 | 5WS40129 |
| PSA | 9653969780 | Rail RIGHT LION V6/DT17 | A2C59511319 | 5WS40130 |
| PSA | 9655029880 | CR-Pump LION V6/DT17 | A2C59511314 | 5WS40157 |
| PSA | 9655714780 | Diverter Rail LION V6/DT17 | A2C59511317 | 5WS40128 |
| PSA | 9656322980 | Copper Ring (1.5mm) | X11-800-002-002Z | |
| PSA | 9658676080 | Injector Clamp Lion | A2C59511320 | 5WS40246 |

Cross Reference

Ford

| OE_Partnumber | Description | Ordernumber | Remarks |
|---------------|---|------------------|-------------------------------------|
| 1700411 | O-ring gasket (return line) | A2C59514037 | |
| 1231950 | Pipe Pump DW10B | 5WS40040-Z | only for welded rails until 11/2004 |
| 1231951 | Pipe CYL 1+3 DW10B | 5WS40042-Z | only for welded rails until 11/2004 |
| 1334919 | CR-Pump LION V6/DT17 | A2C59511314 | 5WS40157 |
| 1346476 | Injector EURO 3 DV4 | 5WS40148-Z | |
| 1348623 | Injector EURO 3 DV4 | 5WS40148-Z | |
| 1348625 | Copper Ring (2.5mm) | X11-800-002-001Z | |
| 1355051 | Injector LYNX | A2C59511610 | 5WS40086 |
| 1355053 | CR-Pump LYNX | A2C59511609 | 5WS40094 |
| 1369551 | Rail LEFT LION V6/DT17 | A2C59511318 | 5WS40129 |
| 1369552 | Rail RIGHT LION V6/DT17 | A2C59511319 | 5WS40130 |
| 1373546 | CR-Pump DW10B => replaced by 5WS40809-Z | 5WS40019-Z | replaced by 5WS40809-Z |
| 1373549 | Injector DW10B CLASS 4 | 5WS40156-4Z | |
| 1373550 | Injector DW10B CLASS 5 | 5WS40156-Z | |
| 1376439 | CR-Pump DW10B (VOLVO NEW) | A2C59511600 | 5WS40380 |
| 1387695 | Diverter Rail LION V6/DT17 | A2C59511317 | 5WS40128 |
| 1404786 | CR-Pump DV4 | 5WS40008-Z | |
| 1432322 | Injector LYNX_V227 | A2C59511611 | 5WS40250 |
| 1451604 | CR-Pump LION V6/DT17 | A2C59511314 | 5WS40157 |
| 1454748 | CR Pump LionV6 upgrade | A2C59513482 | 5WS40273 |
| 1459401 | CR-Pump LYNX | A2C59511609 | 5WS40094 |
| 1459570 | Rail LH LionV8 | A2C59513699 | 5WS40256 |
| 1459571 | Rail RH With Sensor LionV8 | A2C59513512 | 5WS40255 |
| 1459572 | CR Pump LionV8 | A2C59513481 | 5WS40254 |
| 1468884 | CR Pump LionV6 upgrade | A2C59513482 | 5WS40273 |
| 1468887 | Rail RH LionV6 Upgrade | A2C59513702 | 5WS40271 |
| 1468894 | Rail LH (with sensor) LionV6 Upgrade | A2C59513703 | 5WS40272 |
| 1469709 | Injector EU4 DV4 => replaced by A2C59511612 | 5WS40149-Z | replaced by A2C59511612 |
| 1483820 | Injector DW10B CLASS 6 | A2C59511601 | 5WS40156-6 |
| 1488987 | CR-Pump DV4 | 5WS40008-Z | |
| 1489400 | Injector LION V6 LAND ROVER | A2C59511364 | 5WS40249 |
| 1494737 | CR Pump LionV8 | A2C59513481 | 5WS40254 |
| 1497896 | CR-Pump DV4 | 5WS40008-Z | |
| 1497896 | CR-Pump DV4 | 5WS40008-Z | |
| 1508245 | CR-Pump DW10B (VOLVO NEW) | A2C59511600 | 5WS40380 |
| 1508245 | CR-Pump DW10B (VOLVO NEW) | A2C59511600 | 5WS40380 |
| 1541452 | CR Pump LionV6 upgrade | A2C59513482 | 5WS40273 |
| 1541974 | CR-Pump DW10B (VOLVO NEW) | A2C59511600 | 5WS40380 |
| 1543081 | CR Pump LionV8 | A2C59513481 | 5WS40254 |
| 1543842 | CR-Pump LYNX | A2C59511609 | 5WS40094 |
| 1544405 | CR-Pump LION V6/DT17 | A2C59511314 | 5WS40157 |
| 1685796 | CR Injector DV6C | A2C59513556 | 5WS40677 |
| 1685831 | CR Pump DV6 (Ford) | A2C59513829 | 5WS40893 CR-Pump DV6 Ford |
| 1700379 | Copper Ring DV6 | A2C59514036 | |
| 1707059 | CR Pump DV6 (Ford) | A2C59513829 | 5WS40893 CR-Pump DV6 Ford |
| 1709667 | CR Injector DV6C | A2C59513556 | 5WS40677 |

| OE_Partnumber | Description | Ordernumber | Remarks |
|---------------|---|------------------|-------------------------------------|
| 1720038 | CR Pump DV6 (Ford) | A2C59513829 | 5WS40893 CR-Pump DV6 Ford |
| 2S6Q9A543AC | CR-Pump DV4 | 5WS40008-Z | |
| 2S6Q9A543AD | CR-Pump DV4 | 5WS40008-Z | |
| 2S6Q9A543AF | CR-Pump DV4 | 5WS40008-Z | |
| 2S6Q9E568AB | Copper Ring (2.5mm) | X11-800-002-001Z | |
| 2S6Q9F593AA | Injector | Injector | see 9649574480 |
| 2S6Q9F593AB | Injector EURO 3 DV4 | 5WS40148-Z | |
| 2S6Q9F593AC | Injector EURO 3 DV4 | 5WS40148-Z | |
| 2S6Q9F593BC | Injector EU4 DV4 => replaced by A2C59511612 | 5WS40149-Z | replaced by A2C59511612 |
| 2S6Q9F593BD | Injector DV4 (Kyocera) | A2C59511612 | |
| 2S6Q9G719AA | Leckage Clip DW10TD, DV4 | X11-800-001-001Z | |
| 3M5Q9A543BD | CR-Pump DW10B => replaced by 5WS40809-Z | 5WS40019-Z | replaced by 5WS40809-Z |
| 3M5Q9A543CB | CR-Pump DW10B (VOLVO NEW) | A2C59511600 | 5WS40380 |
| 3M5Q9F593DB | Injector DW10B CLASS 4 | 5WS40156-4Z | |
| 3M5Q9F593EA | Injector DW10B CLASS 5 | 5WS40156-Z | |
| 3M5Q9F593EB | Injector DW10B CLASS 5 | 5WS40156-Z | |
| 3M5Q9F593FB | Injector DW10B CLASS 6 | A2C59511601 | 5WS40156-6 |
| 3M5Q9J323BA | Pipe Pump DW10B | 5WS40040-Z | only for welded rails until 11/2004 |
| 3M5Q9N868CA | Pipe CYL 1+3 DW10B | 5WS40042-Z | only for welded rails until 11/2004 |
| 3M5Q9N868DA | Pipe CYL 2+4 DW10B | 5WS40043-Z | only for welded rails until 11/2004 |
| 4H2Q9K546AE | Injector | Injector | replaced by A2C59511364 |
| 4H2Q9K546AF | Injector LION V6 LAND ROVER | A2C59511364 | 5WS40249 |
| 4M5Q9B395AD | CR-Pump LYNX | A2C59511609 | 5WS40094 |
| 4M5Q9B395AE | CR-Pump LYNX | A2C59511609 | 5WS40094 |
| 4M5Q9B395AF | CR-Pump LYNX | A2C59511609 | 5WS40094 |
| 4M5Q9F524AA | Leckage Clip DW10B | X11-800-001-003Z | |
| 4M5Q9F593AD | Injector LYNX | A2C59511610 | 5WS40086 |
| 4R8Q9C066AE | Diverter Rail LION V6/DT17 | A2C59511317 | 5WS40128 |
| 4R8Q9D280AC | Rail LEFT LION V6/DT17 | A2C59511318 | 5WS40129 |
| 4R8Q9D280BC | Rail RIGHT LION V6/DT17 | A2C59511319 | 5WS40130 |
| 4S7Q9B395AJ | CR-Pump LION V6/DT17 | A2C59511314 | 5WS40157 |
| 4S7Q9B395AK | CR-Pump LION V6/DT17 | A2C59511314 | 5WS40157 |
| 4S7Q9B395AL | CR-Pump LION V6/DT17 | A2C59511314 | 5WS40157 |
| 4S7Q9F524AB | Leckage Clip | X11-800-001-002Z | |
| 4S7Q9K546AF | Injector LION V6 JAGUAR EURO 3 | A2C59511315 | 5WS40057 |
| 4S7Q9K546AG | Injector LION V6 JAGUAR EURO 3 | A2C59511315 | 5WS40057 |
| 4S7Q9L535AC | Injector Clamp Lion | A2C59511320 | 5WS40246 |
| 4S7Q9M577AA | Copper Ring (1.5mm) | X11-800-002-002Z | |
| 5U3Q9K546AA | Injector LION V6/DT17 EURO 4 | A2C59511316 | 5WS40103 |
| 6H4Q9B395BD | CR Pump LionV8 | A2C59513481 | 5WS40254 |
| 6H4Q9B395BE | CR Pump LionV8 | A2C59513481 | 5WS40254 |
| 6H4Q9B395BF | CR Pump LionV8 | A2C59513481 | 5WS40254 |
| 6H4Q9B395BG | CR Pump LionV8 | A2C59513481 | 5WS40254 |
| 6H4Q9D280AB | Rail LH LionV8 | A2C59513699 | 5WS40256 |
| 6H4Q9D280AC | Rail LH LionV8 | A2C59513699 | 5WS40256 |
| 6H4Q9D280BB | Rail RH With Sensor LionV8 | A2C59513512 | 5WS40255 |
| 6H4Q9K546DB | Injector LionV8 (white clip) | A2C59513596 | 5WS40253 |
| 6H4Q9K546EB | Injector LionV8 (174, red clip) | A2C59513597 | 5WS40387 |
| 7H2Q9B395CC | CR Pump LionV6 upgrade | A2C59513482 | 5WS40273 |
| 7H2Q9B395CD | CR Pump LionV6 upgrade | A2C59513482 | 5WS40273 |
| 7H2Q9B395CE | CR Pump LionV6 upgrade | A2C59513482 | 5WS40273 |
| 7H2Q9B395CF | CR Pump LionV6 upgrade | A2C59513482 | 5WS40273 |
| 7H2Q9B395CG | CR Pump LionV6 upgrade | A2C59513482 | 5WS40273 |

| OE_Partnumber | Description | Ordernumber | Remarks |
|---------------|--------------------------------------|-------------|---------------------------|
| 7H2Q9B395CH | CR Pump LionV6 upgrade | A2C59513482 | 5WS40273 |
| 7H2Q9D280CD | Rail LH (with sensor) LionV6 Upgrade | A2C59513703 | 5WS40272 |
| 7H2Q9D280CE | Rail LH (with sensor) LionV6 Upgrade | A2C59513703 | 5WS40272 |
| 7H2Q9D280DD | Rail RH LionV6 Upgrade | A2C59513702 | 5WS40271 |
| 7H2Q9D280DE | Rail RH LionV6 Upgrade | A2C59513702 | 5WS40271 |
| 7H2Q9K546CB | Injector LION V6 UPGRADE | A2C59513553 | 5WS40252 |
| 7T1Q9F593AB | Injector LYNX_V227 | A2C59511611 | 5WS40250 |
| 8X2Q9A372AA | Cable Wire For Straight PCV | A2C59513201 | |
| AV6Q9A543AA | CR Pump DV6 (Ford) | A2C59513829 | 5WS40893 CR-Pump DV6 Ford |
| AV6Q9A543CA | CR Pump DV6 (Ford) | A2C59513829 | 5WS40893 CR-Pump DV6 Ford |
| AV6Q9A543CB | CR Pump DV6 (Ford) | A2C59513829 | 5WS40893 CR-Pump DV6 Ford |
| AV6Q9E568AA | Copper Ring DV6 | A2C59514036 | |
| AV6Q9F593AA | CR Injector DV6C | A2C59513556 | 5WS40677 |
| AV6Q9F593AB | CR Injector DV6C | A2C59513556 | 5WS40677 |
| AV6Q9T558AA | O-ring gasket (return line) | A2C59514037 | |
| BK3Q 9K546AC | Injector | Injector | not released yet for IAM |
| LR004712 | CR Pump LionV6 upgrade | A2C59513482 | 5WS40273 |

Jaguar

| OE_Partnumber | Description | Ordernumber | Remarks |
|---------------|--------------------------------|------------------|----------|
| 02C2C40185 | CR-Pump LION V6/DT17 | A2C59511314 | 5WS40157 |
| 02C2C40862 | Cable Wire For Straight PCV | A2C59513201 | |
| C2S21181 | Copper Ring (1.5mm) | X11-800-002-002Z | |
| C2S24003 | Injector Clamp Lion | A2C59511320 | 5WS40246 |
| C2S29876 | Diverter Rail LION V6/DT17 | A2C59511317 | 5WS40128 |
| C2S32276 | Leckage Clip | X11-800-001-002Z | |
| C2S40004 | Injector LION V6/DT17 EURO 4 | A2C59511316 | 5WS40103 |
| C2S43326 | Diverter Rail LION V6/DT17 | A2C59511317 | 5WS40128 |
| JDE2458 | Rail LEFT LION V6/DT17 | A2C59511318 | 5WS40129 |
| JDE2459 | Rail RIGHT LION V6/DT17 | A2C59511319 | 5WS40130 |
| JDE3099 | CR-Pump LION V6/DT17 | A2C59511314 | 5WS40157 |
| JDE4062 | Rail LEFT LION V6/DT17 | A2C59511318 | 5WS40129 |
| JDE4063 | Rail RIGHT LION V6/DT17 | A2C59511319 | 5WS40130 |
| XR845127 | Injector LION V6 JAGUAR EURO 3 | A2C59511315 | 5WS40057 |
| XR856939 | Injector LION V6 JAGUAR EURO 3 | A2C59511315 | 5WS40057 |

Landrover

| OE_Partnumber | Description | Ordernumber | Remarks |
|---------------|--------------------------------------|-------------|----------|
| 1489401 | Injector LION V6 UPGRADE | A2C59513553 | 5WS40252 |
| 6H4Q9D280BC | Rail RH With Sensor LionV8 | A2C59513512 | 5WS40255 |
| 6H4Q9K546DB | Injector LionV8 (white clip) | A2C59513596 | 5WS40253 |
| 6H4Q9K546EB | Injector LionV8 (174, red clip) | A2C59513597 | 5WS40387 |
| LR004295 | CR-Pump LION V6/DT17 | A2C59511314 | 5WS40157 |
| LR005055 | Rail LH LionV8 | A2C59513699 | 5WS40256 |
| LR005056 | Rail RH With Sensor LionV8 | A2C59513512 | 5WS40255 |
| LR005057 | CR Pump LionV8 | A2C59513481 | 5WS40254 |
| LR005549 | CR Pump LionV6 upgrade | A2C59513482 | 5WS40273 |
| LR005551 | Rail RH LionV6 Upgrade | A2C59513702 | 5WS40271 |
| LR005553 | Rail LH (with sensor) LionV6 Upgrade | A2C59513703 | 5WS40272 |
| LR006495 | Injector LION V6 LAND ROVER | A2C59511364 | 5WS40249 |
| LR006496 | Injector LION V6 UPGRADE | A2C59513553 | 5WS40252 |



| OE_Partnumber | Description | Ordernumber | Remarks |
|---------------|--------------------------------------|-------------|----------|
| LR006735 | CR Pump LionV8 | A2C59513481 | 5WS40254 |
| LR009666 | CR Pump LionV6 upgrade | A2C59513482 | 5WS40273 |
| LR009737 | CR Pump LionV8 | A2C59513481 | 5WS40254 |
| LR009804 | CR-Pump LION V6/DT17 | A2C59511314 | 5WS40157 |
| LR017367 | CR Pump LionV6 upgrade | A2C59513482 | 5WS40273 |
| LR020018 | Rail LH LionV8 | A2C59513699 | 5WS40256 |
| LR020019 | Rail RH With Sensor LionV8 | A2C59513512 | 5WS40255 |
| LR020020 | Rail LH (with sensor) LionV6 Upgrade | A2C59513703 | 5WS40272 |
| LR020021 | Rail RH LionV6 Upgrade | A2C59513702 | 5WS40271 |

PSA

| OE_Partnumber | Description | Ordernumber | Remarks |
|---------------|--|----------------------|--|
| 1570A9 | | | only for welded rails until 11/2004 |
| 1570C1 | Pipe CYL 1+3 DW10TD (ONLY FOR P+P RAIL) | 5WS40004-Z | only for welded rails until 11/2004 |
| 1570C2 | Pipe CYL 2+4 DW10TD (ONLY FOR P+P RAIL) | 5WS40005-Z | only for welded rails until 11/2004 |
| 1570F8 | Pipe Pump DW10B | 5WS40040-Z | only for welded rails until 11/2004 |
| 1570G0 | Pipe CYL 1+3 DW10B | 5WS40042-Z | only for welded rails until 11/2004 |
| 1570G1 | Pipe CYL 2+4 DW10B | 5WS40043-Z | only for welded rails until 11/2004 |
| 1570G8 | Rail LEFT LION V6/DT17 | A2C59511318 | 5WS40129 |
| 1570G9 | Rail RIGHT LION V6/DT17 | A2C59511319 | 5WS40130 |
| 1570H4 | Diverter Rail LION V6/DT17 | A2C59511317 | 5WS40128 |
| 1579KK | Leckage Clip | X11-800-001- 002Z | |
| 1920CG | CR-Pump DW10TD | 5WS40018-Z | |
| 1920EP | CR-Pump DV4 | 5WS40008-Z | |
| 1920HJ | CR-Pump LION V6/DT17 | A2C59511314 | 5WS40157 |
| 1920KV | CR-Pump DW10B => replaced by 5WS40809-Z | 5WS40019-Z | replaced by 5WS40809-Z |
| 1920QH | CR-Pump DW10B => replaced by 5WS40809-Z | 5WS40019-Z | replaced by 5WS40809-Z |
| 1920QX | CR Pump DV6 | A2C59513555 | 5WS40657 |
| 1920RY | CR Pump DV6 (StartStop) | A2C59513830 | 5WS40894 CR-Pump DV6 (Start&Stop) |
| 198090 | Injector | Injector | replaced by 5WS40148-Z |
| 1980C0 | Injector | Injector | see: 9647247280 |
| 1980E6 | Injector | Injector | replaced by 5WS40149-Z or 5WS40516/A2C59511612 |
| 1980E7 | Injector EURO 3 DV4 | 5WS40148-Z | |
| 1980E8 | Injector | Injector | see: 9647247280 |
| 1980ER | CR Injector DV6C | A2C59513556 | 5WS40677 |
| 1980F0 | Injector DW10TD => not available anymore | 5WS40000-Z | not available anymore |
| 1980H1 | Injector LION V6/DT17 EURO 4 | A2C59511316 | 5WS40103 |
| 1980J1 | Injector EU4 DV4 => replaced by A2C59511612 | 5WS40149-Z | replaced by A2C59511612 |
| 1980J4 | Injector DW10B CLASS 4 | 5WS40156-4Z | |
| 1980J5 | Injector DW10B CLASS 5 | 5WS40156-Z | |
| 1980J9 | Injector DW10B MFMA CL7 | A2C59513552 | 5WS40322-7 |
| 1980K0 | Injector | Injector | 5WS40322-8 |
| 1980K5 | Injector DW10U MFMA | A2C59511602 | 5WS40200 |
| 1980K8 | Injector DW10B MFMA | A2C59511603 | 5WS40441 |

| OE_Partnumber | Description | Ordernumber | Remarks |
|---------------|--|------------------|--|
| 1980L0 | Injector DW10B MFMA | A2C59511603 | 5WS40516 |
| 1980R9 | CR Injector DV6C | A2C59513556 | 5WS40677 |
| 198165 | Copper Ring (2.5mm) | X11-800-002-001Z | |
| 198167 | Copper Ring (1.5mm) | X11-800-002-002Z | |
| 198169 | | A2C59511488 | |
| 198193 | O-ring gasket (return line) | A2C59514037 | |
| 198194 | Copper Ring DV6 | A2C59514036 | |
| 1982A2 | Leckage Clip DW10B | X11-800-001-003Z | |
| 1982A4 | Leckage Clip | X11-800-001-002Z | |
| 1982C4 | Leckage Clip DW10TD, DV4 | X11-800-001-001Z | |
| 1982C6 | Injector Clamp Lion | A2C59511320 | |
| 30725188 | CR-Pump DW10B (VOLVO NEW) | A2C59511600 | 5WS40380 |
| 9401982A43 | Leckage Clip | X11-800-001-002Z | |
| 9401982C48 | Leckage Clip DW10TD, DV4 | X11-800-001-001Z | |
| 9464644680 | Leckage Clip DW10B | X11-800-001-003Z | |
| 9636673880 | CR-Pump DW10TD | 5WS40018-Z | |
| 9636675780 | Pipe CYL 2+4 DW10TD (ONLY FOR P+P RAIL) | 5WS40005-Z | only for welded rails until 11/2004 |
| 9636680280 | Injector DW10TD => not available anymore | 5WS40000-Z | not available anymore |
| 9636818480 | CR-Pump DW10TD | 5WS40018-Z | |
| 9636819380 | Injector DW10TD => not available anymore | 5WS40000-Z | not available anymore |
| 9640387980 | Rail | Rail | replaced with Bosch forged rail in 11/2004 |
| 9641852080 | CR-Pump DV4 | 5WS40008-Z | |
| 964454048A | CR-Pump DW10B => replaced by 5WS40809-Z | 5WS40019-Z | replaced by 5WS40809-Z |
| 9645834480 | Pipe Pump DW10B | 5WS40040-Z | only for welded rails until 11/2004 |
| 9645988580 | Injector | Injector | replaced by 5WS40148-Z |
| 9647247280 | Injector | Injector | a) Class marking 4,5 or 6 => replace with 5WS40156 (same classification) b) without class marking => replace with 5WS40156 (class 5) |
| 9648917080 | Injector LION V6/DT17 EURO 4 | A2C59511316 | 5WS40103 |
| 9649574480 | Injector | Injector | replaced by 5WS40148-Z |
| 9651590880 | CR-Pump DV4 | 5WS40008-Z | |
| 9652173680 | Injector DW10TD => not available anymore | 5WS40000-Z | not available anymore |
| 9652173780 | Injector DW10TD => not available anymore | 5WS40000-Z | not available anymore |
| 9652175380 | CR-Pump DW10TD | 5WS40018-Z | |
| 9652175480 | CR-Pump DW10TD | 5WS40018-Z | |
| 9652707180 | Injector | Injector | replaced by 5WS40149-Z or 5WS40516/A2C59511612 |
| 9652763180 | Injector | Injector | see 9649574480 |
| 9652763280 | Injector | Injector | replaced by 5WS40148-Z |
| 9653276480 | Copper Ring (2.5mm) | X11-800-002-001Z | |
| 9653969680 | Rail LEFT LION V6/DT17 | A2C59511318 | 5WS40129 |
| 9653969780 | Rail RIGHT LION V6/DT17 | A2C59511319 | 5WS40130 |

| OE_Partnumber | Description | Ordernumber | Remarks |
|---------------|--|----------------------|---|
| 9654091880 | CR-Pump DW10B => replaced by 5WS40809-Z | 5WS40019-Z | replaced by 5WS40809-Z |
| 9654550980 | Injector EU4 DV4 => replaced by A2C59511612 | 5WS40149-Z | replaced by A2C59511612 |
| 9654551080 | Injector EU4 DV4 => replaced by A2C59511612 | 5WS40149-Z | replaced by A2C59511612 |
| 9654615580 | CR-Pump DW10B (VOLVO) | 5WS40163-Z | |
| 9655029880 | CR-Pump LION V6/DT17 | A2C59511314 | 5WS40157 |
| 9655304780 | Injector EURO 3 DV4 | 5WS40148-Z | |
| 9655304880 | Injector EURO 3 DV4 | 5WS40148-Z | |
| 9655714780 | Diverter Rail LION V6/DT17 | A2C59511317 | 5WS40128 |
| 9656322980 | Copper Ring (1.5mm) | X11-800-002- 002Z | |
| 9657144580 | Injector DW10B CLASS 4 | 5WS40156-4Z | see: 9647247280 |
| 9657144580 | Injector DW10B CLASS 6 | A2C59511601 | see: 9647247280 |
| 9657144680 | Injector DW10B CLASS 5 | 5WS40156-Z | |
| 9657144680 | Injector DW10B CLASS 5 | 5WS40156-Z | |
| 9657144780 | Injector DW10B CLASS 5 | 5WS40156-Z | |
| 9658176080 | CR-Pump DV4 | 5WS40008-Z | |
| 9658193780 | CR-Pump DW10B (VOLVO) | 5WS40163-Z | |
| 9658193980 | CR-Pump DW10B => replaced by 5WS40809-Z | 5WS40019-Z | replaced by 5WS40809-Z |
| 9658194180 | Injector DW10B MFMA | A2C59511603 | 5WS40322 |
| 9658195080 | CR-Pump DW10TD | 5WS40018-Z | |
| 9658676080 | Injector Clamp Lion | A2C59511320 | 5WS40246 |
| 9659244280 | Injector DW10B CLASS 5 | 5WS40156-Z | |
| 9659337980 | Injector DW10U MFMA | A2C59511602 | 5WS40200 |
| 9660334880 | Injector DW10B MFMA | A2C59511603 | can also be replaced by 5WS40322, but ECU calibration updated needed |
| 9661683980 | Injector | Injector | replaced by 5WS40156 (class 5 only) |
| 9662021580 | CR-Pump DW10B (VOLVO NEW) | A2C59511600 | 5WS40380 |
| 9663429280 | Injector DV4 (Kyocera) | A2C59511612 | 5WS40516 |
| 9670652580 | CR Pump DV6 | A2C59513555 | 5WS40657 |
| 9672605380 | CR Pump DV6 (StartStop) | A2C59513830 | 5WS40894 CR-Pump DV6 (Start&Stop) |
| 9672605580 | CR Injector DV6C | A2C59513556 | 5WS40677 |
| 9674973080 | CR Injector DV6C | A2C59513556 | 5WS40677 |
| 9676289780 | CR Injector DV6C | A2C59513556 | 5WS40677 |
| 9677247280 | Injector | Injector | see 9649574480 |
| 9681900980 | CR-Pump DW10B => replaced by 5WS40809-Z | 5WS40019-Z | replaced by 5WS40809-Z |
| 9683023580 | CR-Pump DW10B => replaced by 5WS40809-Z | 5WS40019-Z | replaced by 5WS40809-Z |
| 9683528780 | CR-Pump DV4 | 5WS40008-Z | |
| 9683623780 | CR-Pump DW10B => replaced by 5WS40809-Z | 5WS40019-Z | replaced by 5WS40809-Z |
| 9683624080 | CR-Pump DW10B (VOLVO NEW) | A2C59511600 | 5WS40380 |
| 9683627780 | CR-Pump DW10B => replaced by 5WS40809-Z | 5WS40019-Z | replaced by 5WS40809-Z |
| 9683957238A | CR Injector DV6C | A2C59513556 | 5WS40677 |
| 9683957280 | CR Injector DV6C | A2C59513556 | 5WS40677 |
| 9685440880 | CR-Pump DV4 | 5WS40008-Z | |
| 9685704880 | CR-Pump DW10B => | 5WS40019-Z | replaced by 5WS40809-Z |

| OE_Partnumber | Description | Ordernumber | Remarks |
|---------------|--|-------------|------------------------|
| | replaced by 5WS40809-Z | | |
| 9685704880 | CR-Pump DW10B => replaced by 5WS40809-Z | 5WS40019-Z | replaced by 5WS40809-Z |
| 9685705080 | CR-Pump DW10B (VOLVO NEW) | A2C59511600 | 5WS40380 |
| 9688153080 | CR-Pump DW10B => replaced by 5WS40809-Z | 5WS40019-Z | replaced by 5WS40809-Z |
| 9715135480 | Injector | Injector | see 9652707180 |

Renault

OE_Partnumber Description Ordernumber Remarks

| | | | |
|-------------|----------------------------|------------------|--------------------------|
| 166009445R | Injector K9K | A2C59511606 | |
| 167000938R | CR Pump K9K EU5 | A2C59513595 | 5WS40565 |
| 167008859R | CR-Pump K9K | A2C59511605 | 5WS40153 |
| 7701477442 | Leckage Clip | X11-800-001-002Z | |
| 8200380253 | Injector K9K | A2C59511606 | replaced by 8200842205 |
| 8200397346 | Rail With Sensor K9K | A2C59511607 | 5WS40154 |
| 8200430599 | CR-Pump K9K | A2C59511605 | replaced by 8200 663 258 |
| 8200579287 | Rail With Sensor K9K | A2C59511607 | 5WS40154 |
| 8200619296 | Rail K9K EU5 (with sensor) | A2C59513750 | 5WS40440 |
| 8200663258 | CR-Pump K9K | A2C59511605 | 5WS40153 |
| 8200702621 | CR Pump K9K EU5 | A2C59513595 | 5WS40565 |
| 8200704200 | CR Pump K9K EU5 | A2C59513595 | 5WS40565 |
| 8200704212 | Rail K9K EU5 (with sensor) | A2C59513750 | 5WS40440 |
| 8200815617 | Rail With Sensor K9K | A2C59511607 | 5WS40154 |
| 8200821184 | CR-Pump K9K | A2C59511605 | 5WS40153 |
| 8200842205 | Injector K9K | A2C59511606 | |
| 8200845671 | Rail With Sensor K9K | A2C59511607 | 5WS40154 |
| 8200903034 | Injector K9K EU5 | A2C59513484 | 5WS40536 |
| 8201041272 | Injector | Injector | not released yet for IAM |
| 8201042300 | Injector K9K | A2C59511606 | |
| H8200294788 | Injector K9K | A2C59511606 | |

Volvo

OE_Partnumber Description Ordernumber Remarks

| | | | |
|----------|------------------------|-------------|---------------------------|
| 30725106 | Injector | Injector | 5WS40518 |
| 31216456 | Injector DW10B CLASS 6 | A2C59511601 | 5WS40156-6 |
| 31303994 | CR Injector DV6C | A2C59513556 | 5WS40677 |
| 31321487 | CR Pump DV6 (Ford) | A2C59513829 | 5WS40893 CR-Pump DV6 Ford |
| 31321711 | Copper Ring DV6 | A2C59514036 | |
| 31336585 | CR Injector DV6C | A2C59513556 | 5WS40677 |
| 31336623 | CR Pump DV6 (Ford) | A2C59513829 | 5WS40893 CR-Pump DV6 Ford |
| 8603177 | Injector | Injector | see: 9647247280 |
| 8603319 | Injector | Injector | see: 9647247280 |
| 8603527 | CR-Pump DW10B (VOLVO) | 5WS40163-Z | |
| 8603564 | Injector DW10B CLASS 5 | 5WS40156-Z | |
| 8603565 | Injector DW10B CLASS 4 | 5WS40156-4Z | |

VW

OE_Partnumber Description Ordernumber Remarks

| | | | |
|------------------|----------|----------|--|
| 03G130073D/...DX | Injector | Injector | VW EUI A2C20006580; not released yet for IAM |
|------------------|----------|----------|--|

| OE_Partnumber | Description | Ordernumber | Remarks |
|---------------|----------------------------|------------------|--|
| 03G130073T | Injector | Injector | not released yet for IAM |
| 03L130277B | Injektor VW CR | A2C59513554 | 5WS40539 |
| 03L130447 | Leckage Clip | X11-800-001-002Z | |
| 03L130519 | Copper Ring (2,5mm 6-Nose) | X11-800-002-004Z | |
| 03L130755B | CR-Pump | CR-Pump | 5WS40601 CR-Pump (Basis) not released yet for IAM |
| 03L130755E | CR-Pump | CR-Pump | 5WS40836 CR-Pump (Start&Stop) not released yet for IAM |
| 03L130755G | CR-Pump | CR-Pump | not released yet for IAM |
| 03L130755H | CR-Pump | CR-Pump | not released yet for IAM |

Continental

| OE_Partnumber | Description | Ordernumber | Remarks |
|---------------------------|--|-------------|---|
| 5WS40006 | | n/a | HP-Sensor is not available as separate item |
| 5WS40039 | | n/a | HP-Sensor is not available as separate item |
| 5WS40050 | | n/a | HP-Sensor is not available as separate item |
| 5WS40208 | | n/a | HP-Sensor is not available as separate item |
| 5WS40209 | | n/a | HP-Sensor is not available as separate item |
| A2C20000502 / 5WS40018 | CR-Pump DW10TD | 5WS40018-Z | |
| A2C20000598 / 5WS40019 | CR-Pump DW10B => replaced by 5WS40809-Z | 5WS40019-Z | |
| A2C20000727 / 5WS40008 | CR-Pump DV4 | 5WS40008-Z | |
| A2C20000745 / 5WS40064 | CR-Pump | CR-Pump | IESA, not released yet for IAM |
| A2C20000754 / 5WS40153 | CR-Pump K9K | A2C59511605 | 5WS40153 |
| A2C20003032 / 5WS40094 | CR-Pump LYNX | A2C59511609 | 5WS40094 |
| A2C20003180 / 5WS40254 | CR Pump LionV8 | A2C59513481 | 5WS40254 |
| A2C20003282 / 5WS40273 | CR Pump LionV6 upgrade | A2C59513482 | 5WS40273 |
| A2C20003757 / 5WS40157 | CR-Pump LION V6/DT17 | A2C59511314 | 5WS40157 |
| A2C20003791 / 5WS40163 | CR-Pump DW10B (VOLVO) | 5WS40163-Z | |
| A2C27100268 / 5WS40380 | CR-Pump DW10B (VOLVO NEW) | A2C59511600 | 5WS40380 |
| A2C53247964 / 5WS40601 | CR-Pump | CR-Pump | 5WS40601 CR-Pump (Basis) not released yet for IAM |
| A2C53252602 / 5WS40565 | CR Pump K9K EU5 | A2C59513595 | 5WS40565 |
| A2C53300211 / 5WS40657 | CR Pump DV6 | A2C59513555 | 5WS40657 |
| A2C53311566 / 5WS40657 | CR Pump DV6 | A2C59513555 | 5WS40657 |
| A2C53334602 / 5WS40809 | CR-Pump DW10B | 5WS40809-Z | |
| A2C53341464 / 5WS40836 | CR-Pump | CR-Pump | 5WS40836 CR-Pump (Start&Stop) not released yet for IAM |
| A2C53381555 / 5WS40894 | CR Pump DV6 (StartStop) | A2C59513830 | 5WS40894 CR-Pump DV6 (Start&Stop) |
| A2C53384062 / 5WS40893 | CR Pump DV6 (Ford) | A2C59513829 | 5WS40893 CR-Pump DV6 Ford |
| A2C59510898 / 5WS40008 | | n/a | IAM Part Number |
| A2C59510899 / | | n/a | IAM Part Number |

| OE_Partnumber | Description | Ordernumber | Remarks |
|---------------------------|-------------|-------------|-----------------|
| 5WS40018 | | | |
| A2C59510900 / 5WS40019 | | n/a | IAM Part Number |
| A2C59510901 / 5WS40163 | | n/a | IAM Part Number |
| A2C59511313 / 5WS40157 | | n/a | IAM Part Number |
| A2C59511599 / 5WS40380 | | n/a | IAM Part Number |
| A2C59511604 / 5WS40153 | | n/a | IAM Part Number |
| A2C59511608 / 5WS40094 | | n/a | IAM Part Number |
| A2C59512062 / 5WS40809 | | n/a | IAM Part Number |
| A2C59513487 / 5WS40254 | | n/a | IAM Part Number |
| A2C59513488 / 5WS40273 | | n/a | IAM Part Number |
| A2C59513489 / 5WS40836 | | n/a | IAM Part Number |
| A2C59513490 / 5WS40657 | | n/a | IAM Part Number |
| A2C59513494 / 5WS40565 | | n/a | IAM Part Number |
| A2C59513831 / 5WS40893 | | n/a | IAM Part Number |
| A2C59513832 / 5WS40894 | | n/a | IAM Part Number |

Notes

Официальный дистрибьютор в России :

ООО Дунфан г.Москва ул.Свободы 79
(495) 496-9790 490-8863 496-4101

www.dunfan.ru

Continental Trading GmbH

Sodener Strasse 9

65824 Schwalbach

Deutschland

Tel: +49 6196 87-0

Fax: +49 6196 86571

www.vdo.de

E-Mail: replacementparts@vdo.com

VDO – A Trademark of the Continental Corporation

The information provided in this brochure contains only general descriptions or performance characteristics, which do not always apply as described in case of actual use or which may change as a result of further development of the products. This information is merely a technical description of the product. This information is not meant or intended to be a special guarantee for a particular quality or a particular durability. An obligation to provide the respective characteristics shall only exist if expressly agreed in the terms of contract. We reserve the right to make changes in availability as well as technical changes without prior notice.

Continental Trading GmbH © 2011

Please note:

Application – The products described in this catalogue are designed for use in land vehicles, engines and equipment.
Disclaimer – The data in this replacement parts catalogue has been compiled and processed for the purpose of presenting our replacement parts range and is correct to the best of our knowledge. Subject to technical alterations, errors and omissions. Availability is not guaranteed. We cannot be held liable with regard to any information contained in the Continental Trading replacement parts catalogue except in case of intent, gross negligence or where mandatory liability is borne in accordance with German product liability law.

VDO