

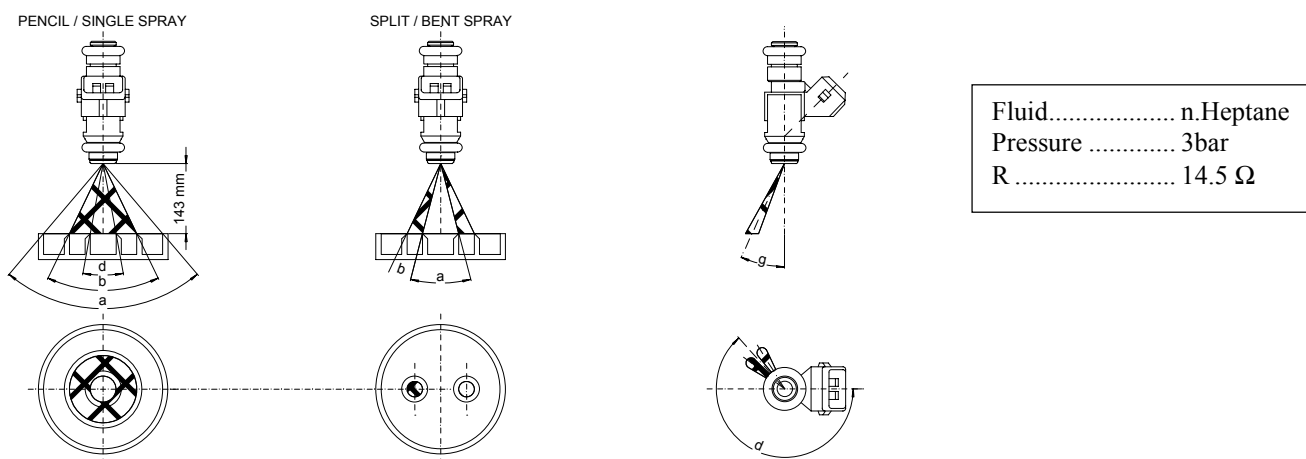
# Pico fuel injectors

## Spray patterns



The following spray pattern information is applicable to all of the 'Pico' style fuel injectors.

All data is nominal and cannot be guaranteed – For users with very specific requirements we suggest that you make selective testing.



CODE	STATIC FLOW (cc/min)	CONNECTOR ANGLE	SPRAY CONFIGURATION	a	b	g	d
IWP 001	200	60°	BENT STREAM	16°	10°	25°	90°
IWP 006	226	45°	SPLIT STREAM	16°	10°	0°	0°
IWP 023	158	45°	SINGLE STREAM	---	15°	---	---
IWP 025	200	45°	SPLIT STREAM	18°	10°	0°	180°
IWP 042	N/a	45°	SPLIT STREAM	19°	10°	0°	230°
IWP 043	329	45°	SINGLE STREAM	---	20°	---	---
IWP 045	200	45°	BENT STREAM	16°	10°	25°	45°
IWP 048	215	60°	SINGLE STREAM	---	24°	---	---
IWP 049	184	45°	SINGLE STREAM	---	15°	---	---
IWP 058	Information not available						
IWP 064	186	60°	BENT STREAM	14°	12°	20°	90°
IWP 065	158	60°	SINGLE STREAM	---	15°	---	---
IWP 069	491	60°	SINGLE STREAM	---	15°	---	---
IWP 076	215	60°	SINGLE STREAM	---	24°	---	---
IWP 092	Information not available						
IWP 109	Information not available						
IWP 119	Information not available						
IWP 116	Information not available						
IWP 162	377	60°	SINGLE STREAM	---	24°	---	---
IWP 164	Information not available						
IWP 189	490	60°	SINGLE STREAM	---	24°	---	---

For further details please contact

Competition Systems Ltd  
Hyjuniper, Long lane, Shaw  
Newbury, Berkshire,  
RG14 2TA  
England

Tel: +44 (0)8707 444666  
Fax: +44 (0)8707 444888  
www.competitionssystem.co.uk  
mail@competitionssystem.co.uk