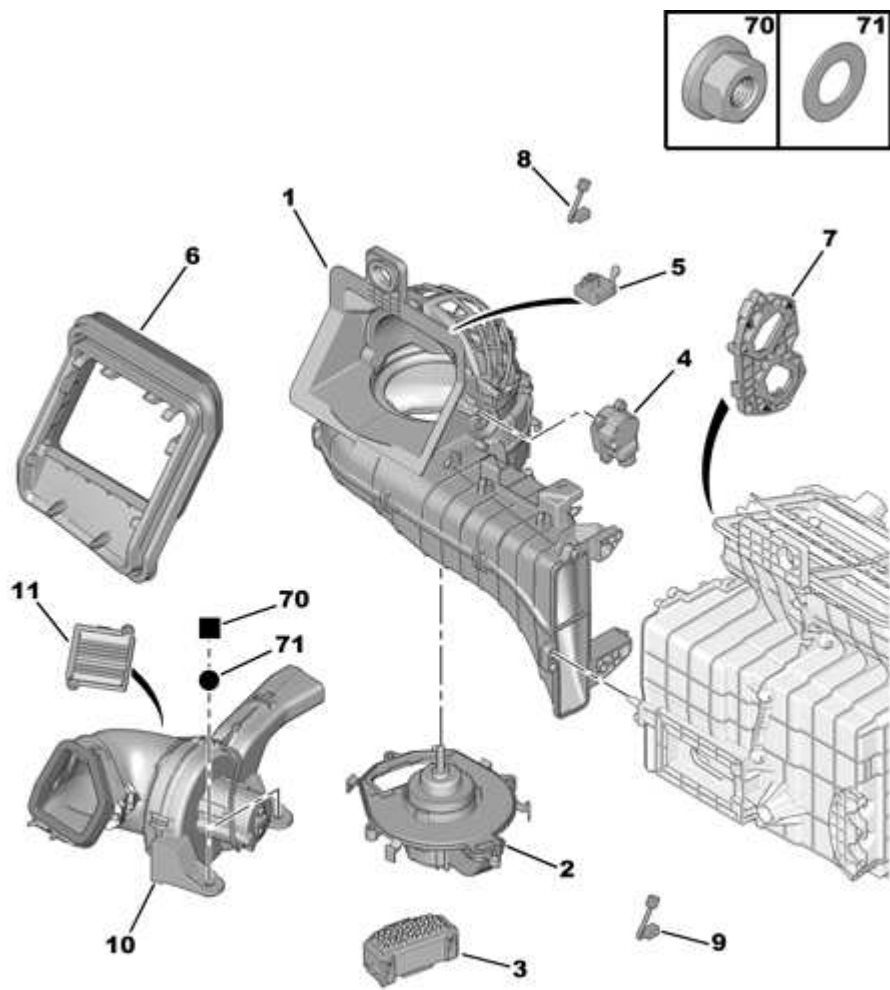


30/06/11 641201A AIR PULLER-AIR ENTRY-MODULE-REDUCER



09/2010

00088837

01	6450 WP 6450 WQ	01 01 01 01 01	AIR CHANNEL - WITHOUT AIR CONDITIONING - SINGLE AIR CONDITIONING - AUTOMATIC AIR CONDITIONING EXCEPT WITH ADDITIONAL AIR CONDITIONING WITHOUT AQS - AUTOMATIC AIR CONDITIONING SINCE RPO No. 11613 - AUTOMATIC AIR CONDITIONING FOR AQS ASSEMBLY
02	6441 W7 6441 CF 6441 W8 6441 CG	01 01 01 01	HTR AIR PULLER - WITHOUT AIR CONDITIONING UNTIL RPO No. 11437 - WITHOUT AIR CONDITIONING SINCE RPO No. 11438 - AIR CONDITIONING UNTIL RPO No. 11437 - AIR CONDITIONING SINCE RPO No. 11438
03	6441 W9 6441 CE	01 01	CONTROL MODULE - UNTIL RPO No. 11437 - SINCE RPO No. 11438
04	6447 WZ 6479 F7	01 01 01 01	REDUCTION GEAR - UNTIL RPO No. 12046 - SINGLE AIR CONDITIONING SINCE RPO No. 12047 - AUTOMATIC AIR CONDITIONING AND WITH ADDITIONAL AIR CONDITIONING SINCE RPO No. 12047 - AUTOMATIC AIR CONDITIONING AND WITHOUT ADDITIONAL AIR CONDITIONING SINCE RPO No. 12047
05	6436 17	01	AIR SENSOR - AUTOMATIC AIR CONDITIONING WITH AQS
06	6447 XE	01	AIR CHANNEL
07	6479 F9	01	PLATE - AUTOMATIC AIR CONDITIONING AND WITHOUT ADDITIONAL AIR CONDITIONING SINCE RPO No. 12047
08	6436 E3	01	HEATER HARNESS - SINCE RPO No. 11438
09	6436 Q1	01	HEATER HARNESS
10	6441 X4 6441 X5	01 01	ADD BLOWER LEFT - AUTOMATIC AIR CONDITIONING RIGHT - AUTOMATIC AIR CONDITIONING
11	6441 X3	02	CONTROL MODULE - AUTOMATIC AIR CONDITIONING
70	6935 C7	05	WASHER-NUT M6X100
71	6949 39	05	PLAIN WASHER 6X30-2