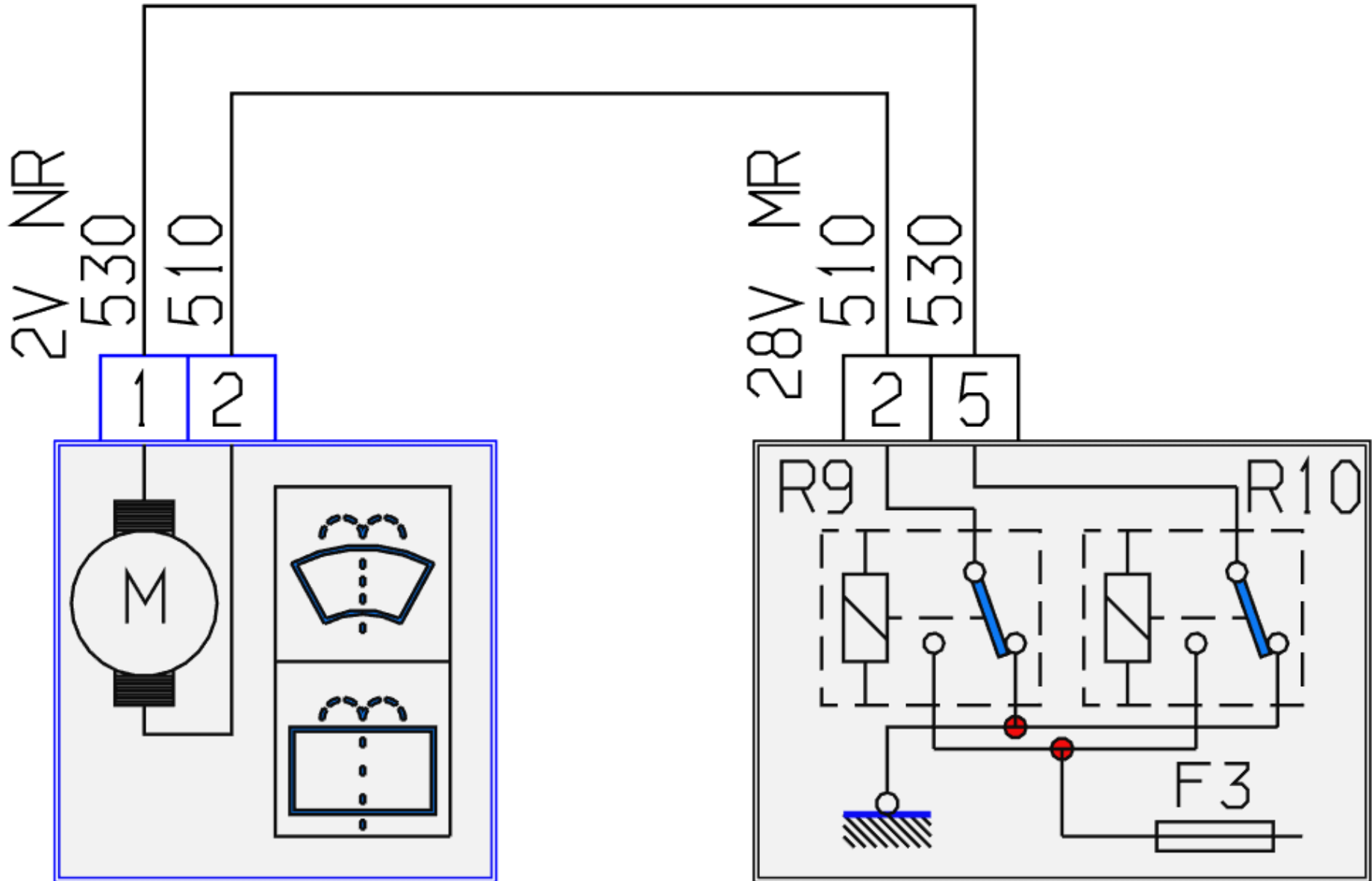


# 10 PR



5115

PSF 1