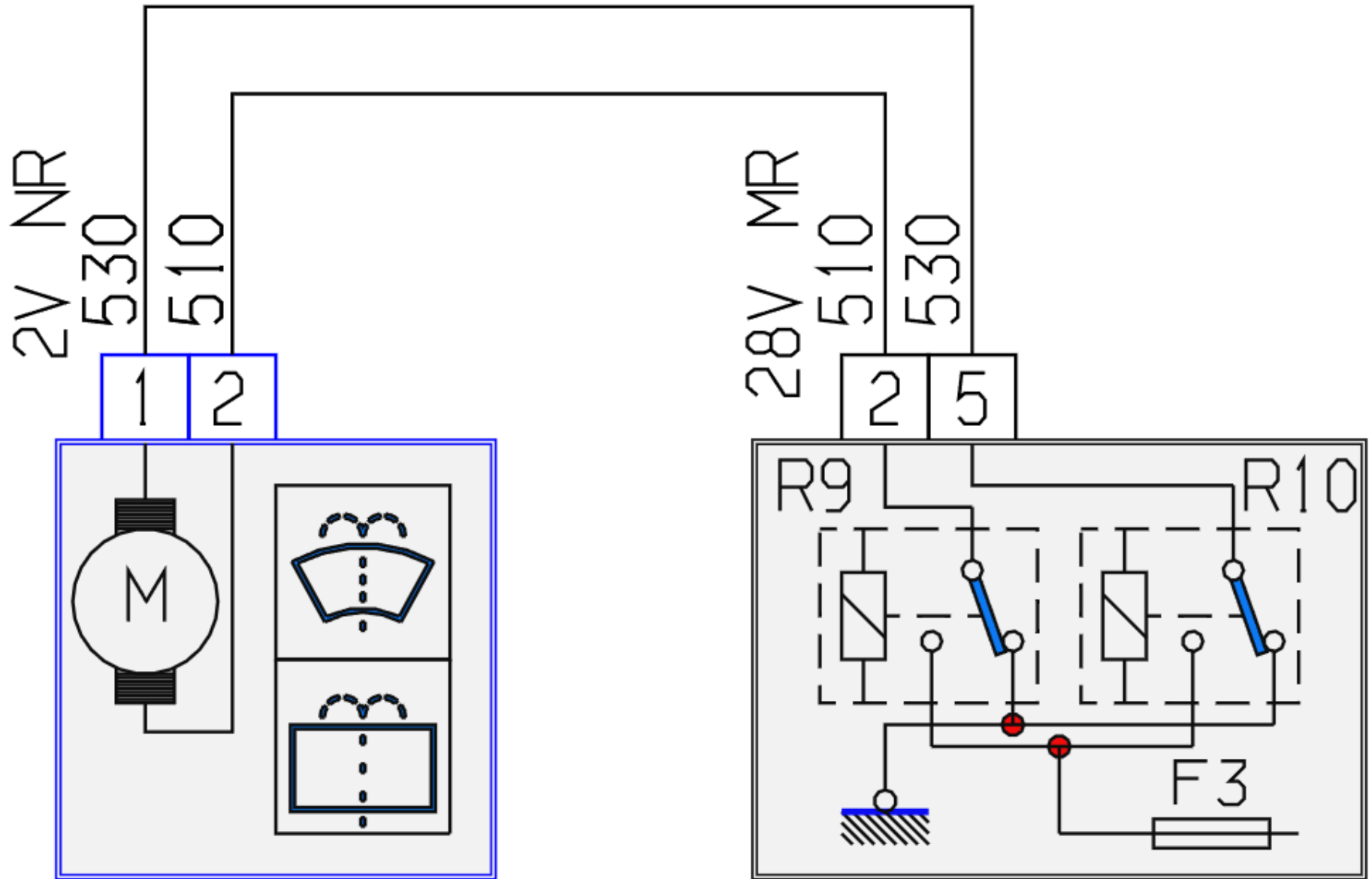


10 PR



5115

PSF 1