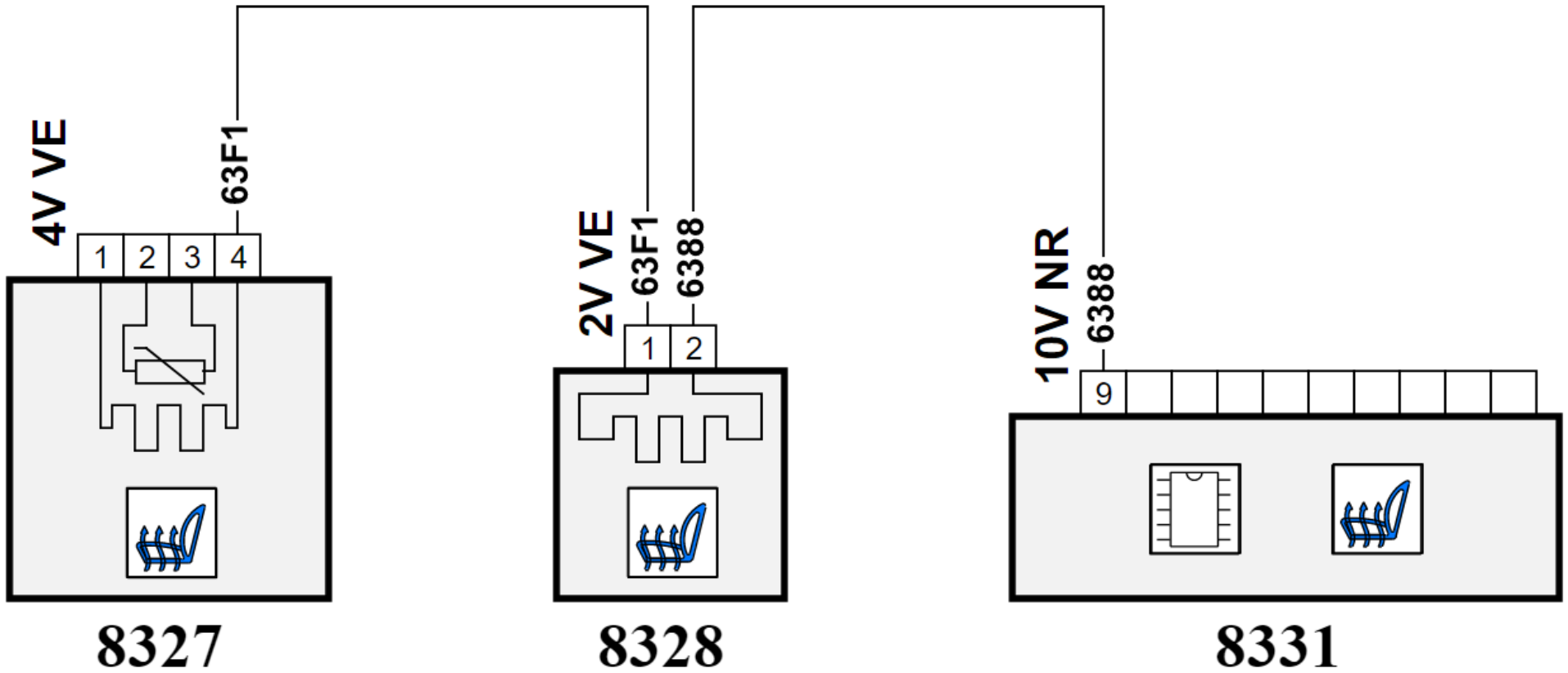


55 SGC



D3HZ7WQE