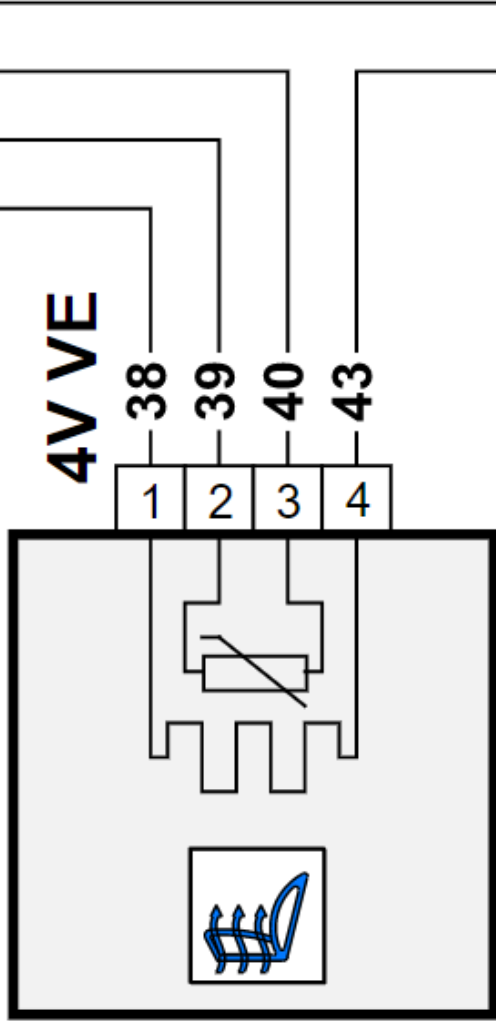
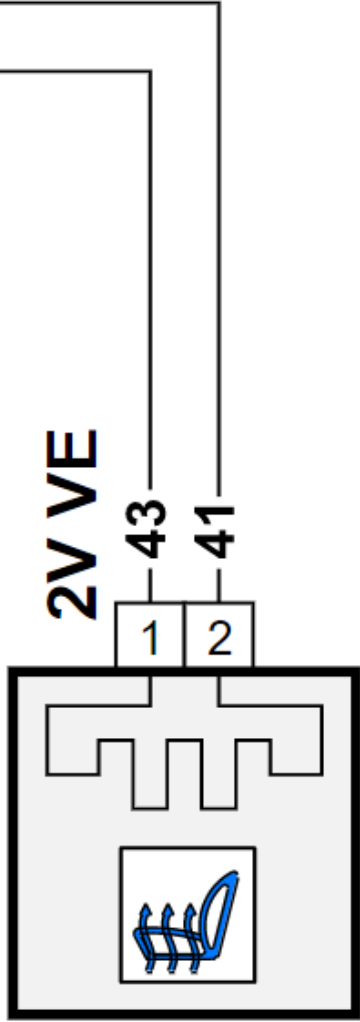


**8332**



**8329**



**8330**

**10V NR**

**4V VE**

**2V VE**

1 6 8 5 2 9 7 3 10

38 39 40 43

43 41