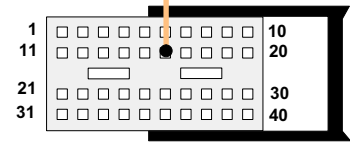
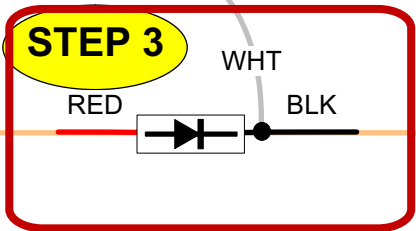
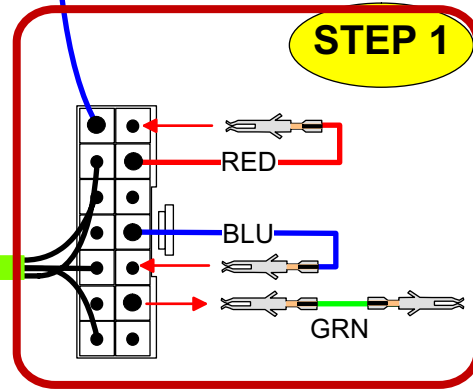
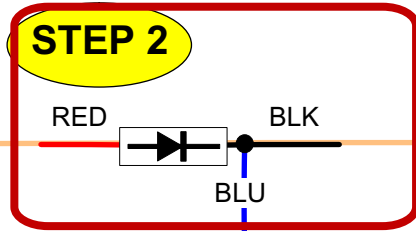
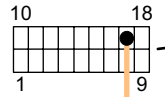


NB ! This installation diagram must only be used as a guideline for the installation. Equipment delivered with the car varies considerably from model to model and from market to market. Before starting the installation, be sure to check carefully the original diagram from the car manufacturer. DEFA AS is not liable to compensate for possible damages that may occur due to faulty or insufficient installation manuals.

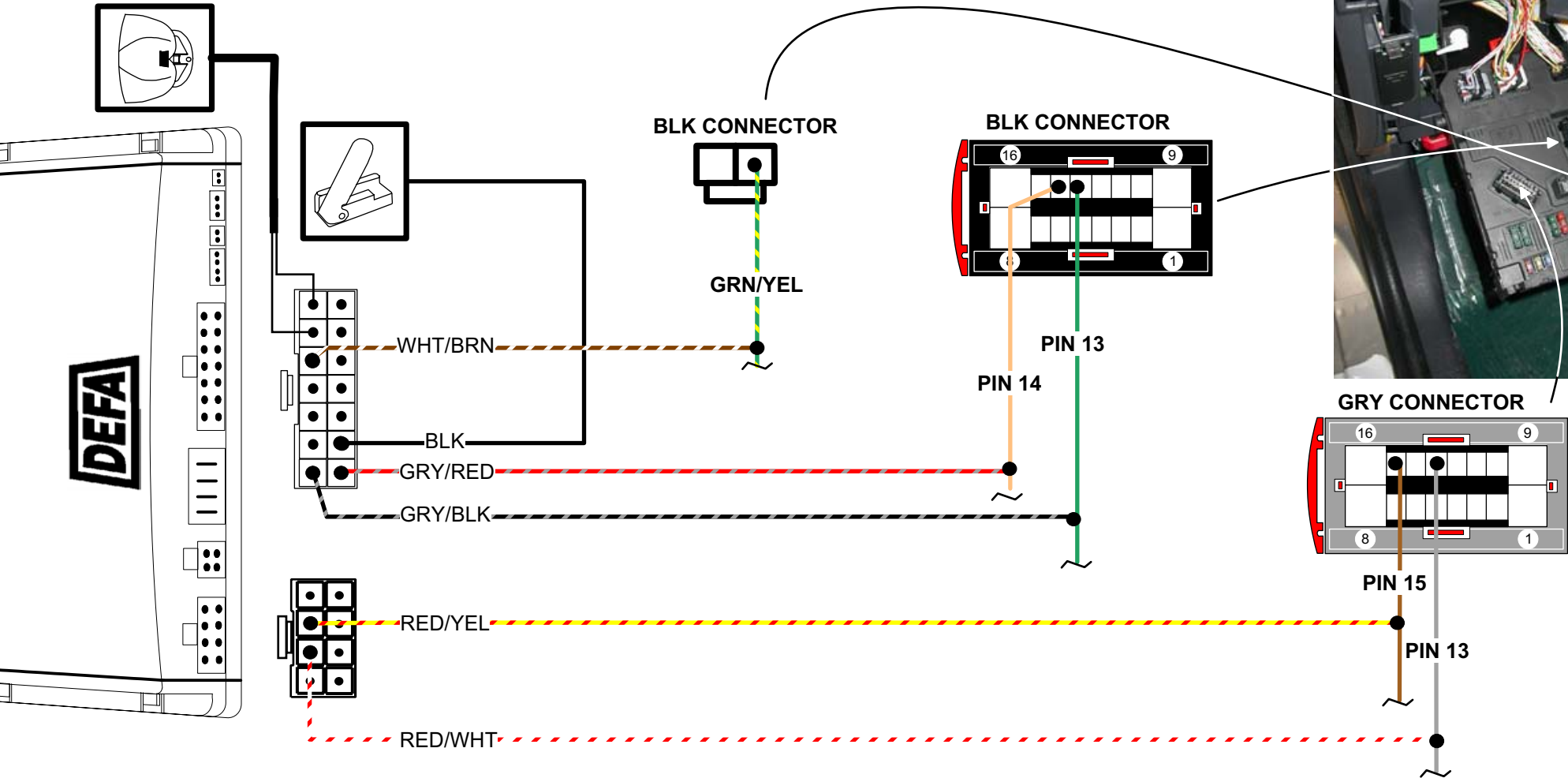


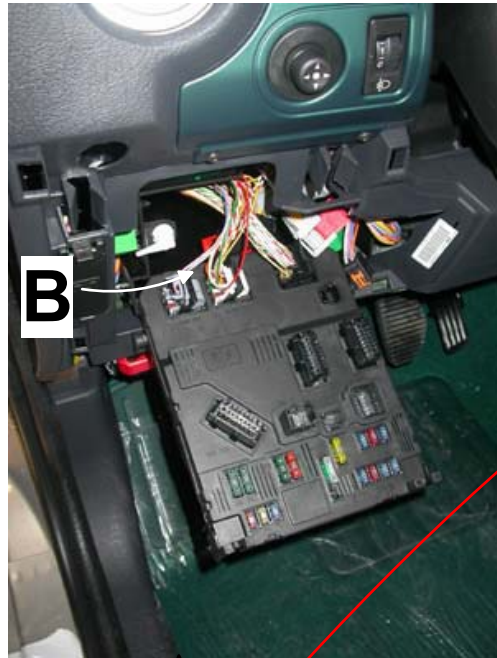
GRY CONNECTOR

REQUIRED:
 - Central unit rev. F →
 - Software: 02-1. →
 - Wire harness (600629)

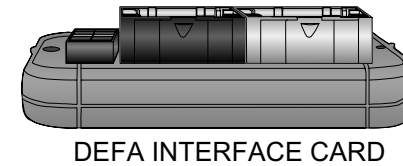
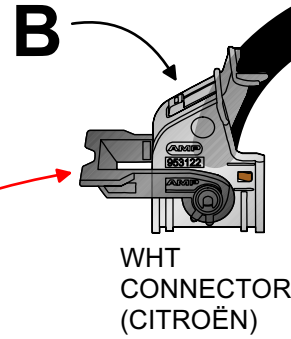
Date : 2004.07.22
 Rev : C
 Page: 1 of 6

STEP 4

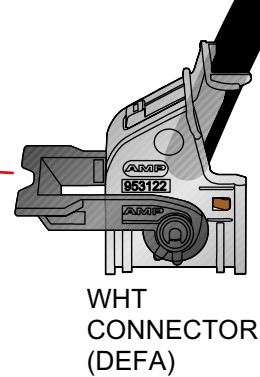




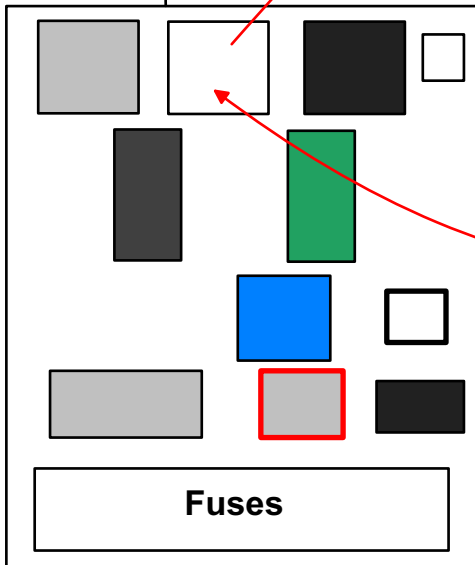
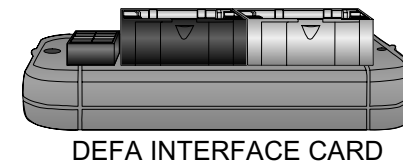
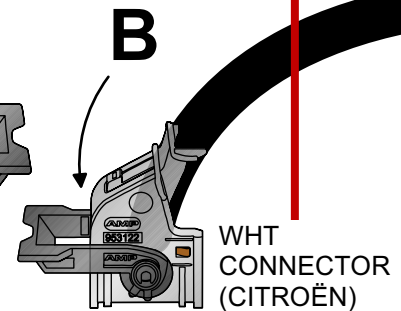
STEP 5



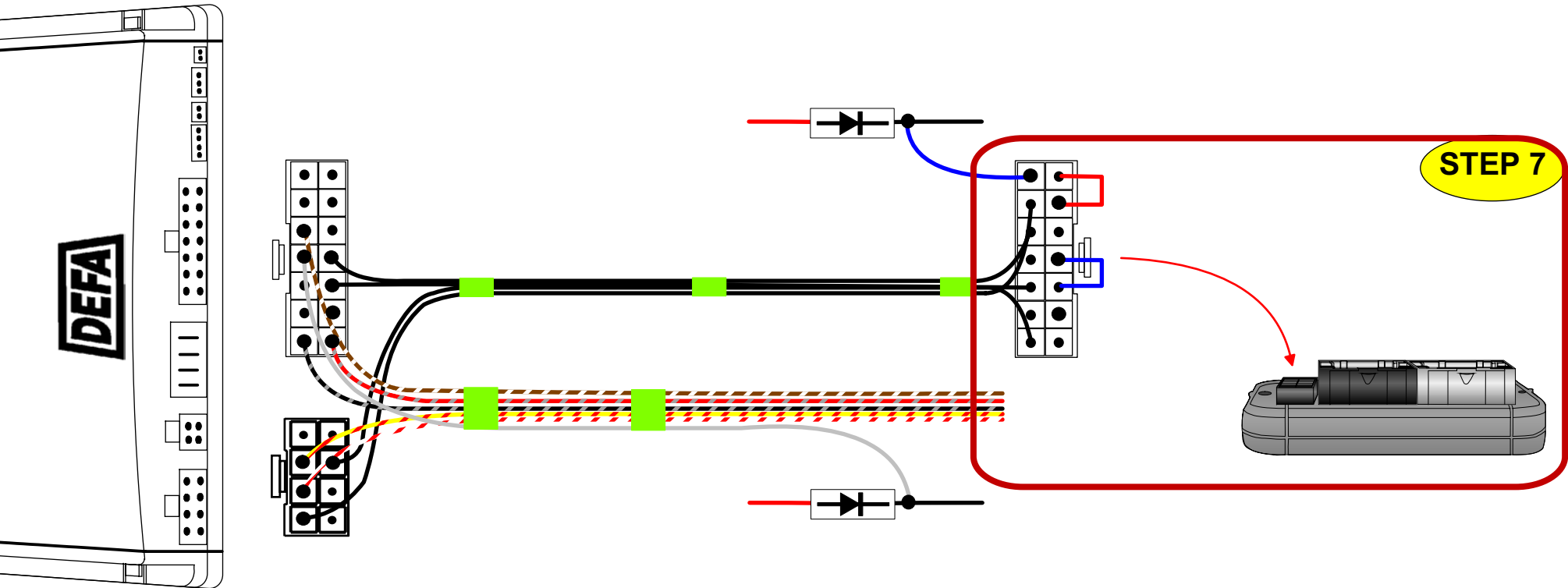
STEP 6



BLK CONNECTOR (DEFA)



Fuses



STEP 7

